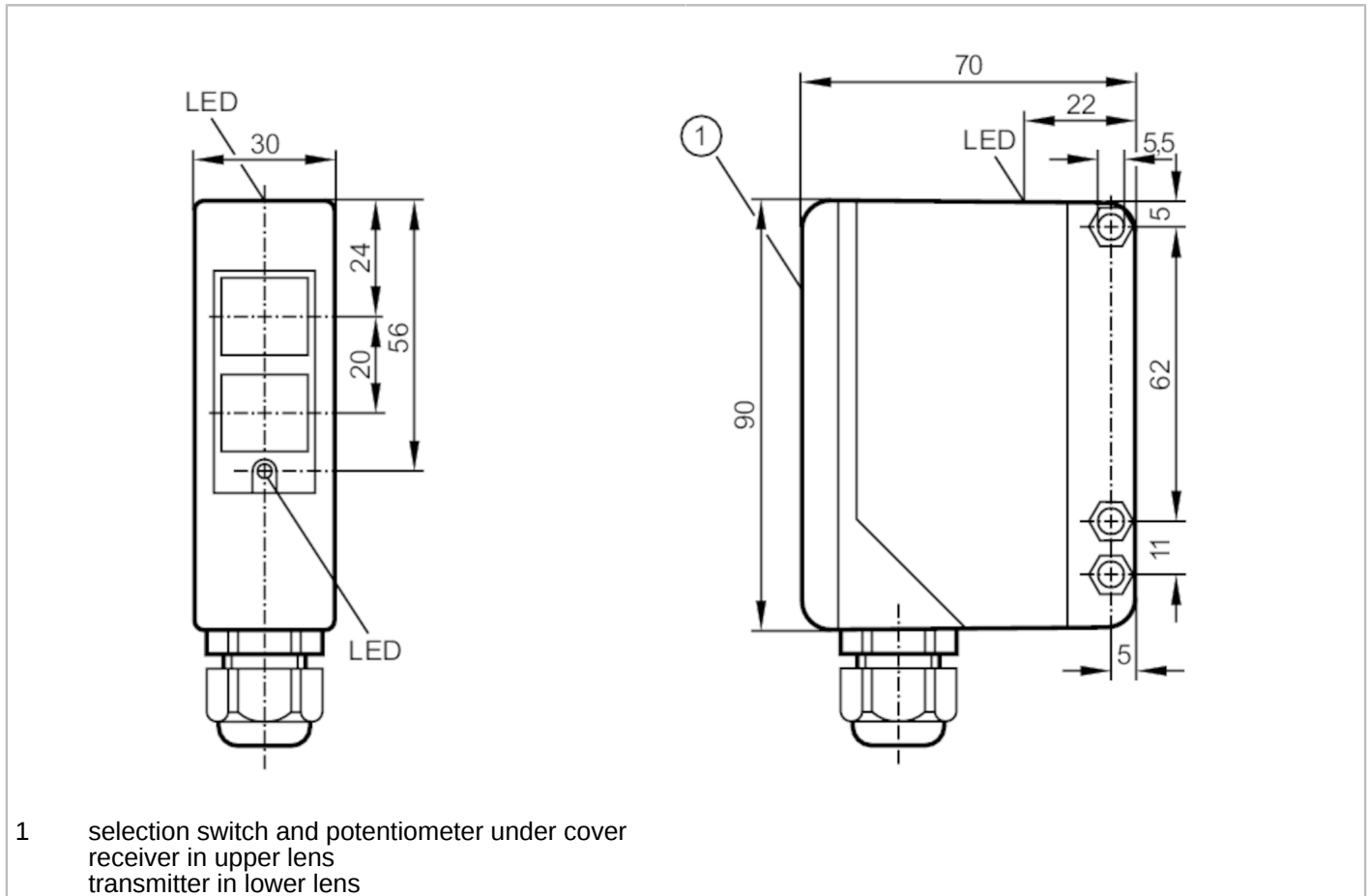


OA0107



Retro-reflective sensor

OAP-FKOAT



Application	
Function principle	Retro-reflective sensor
Electrical data	
Frequency AC [Hz]	47...63
Operating voltage [V]	20...250 AC/DC
Max. power consumption [VA]	2
Protection class	II
Reverse polarity protection	no
Type of light	red light
Wave length [nm]	660
Outputs	
Electrical design	relay
Output function	light-on/dark-on mode; (programmable)
Contact rating	250 V AC / 3 A / 360 VA, 125 V DC / 3 A / 30 W
Short-circuit proof	no
Overload protection	no
Time function [s]	0.5...10

OA0107



Retro-reflective sensor

OAP-FKOA/T

Detection zone		
Range referred to prismatic reflector [m]	0.2...8; (Prismatic reflector Ø 80 E20005)	
Range adjustable	yes	
Max. light spot diameter [mm]	420	
Light spot dimensions refer to	at maximum range	
Polarisation filter available	yes	
Operating conditions		
Ambient temperature [°C]	-25...60	
Protection	IP 65	
Tests / approvals		
EMC	EN 60947-5-2	class B
	EN 55011	
MTTF [years]	264	
Mechanical data		
Weight [g]	307.2	
Housing	rectangular	
Dimensions [mm]	90 x 30 x 70	
Materials	PPO modified	
Lens material	PMMA	
Lens alignment	side lens	
Displays / operating elements		
Display	switching status	1 x LED, yellow
	operation	1 x LED, green
	function	1 x LED, red
Operating elements	on-delay or off-delay selectable via slide switch	
Electrical connection		
Required protection	miniature fuse to IEC60127-2 sheet 1; ≤ 5 A; fast acting	
Accessories		
Accessories (supplied)	Angle bracket: 1 x, E20514 screwdrivers	
Remarks		
Remarks	Recommendation: Check the safe functioning of the unit after a short circuit.	
Pack quantity	1 pcs.	



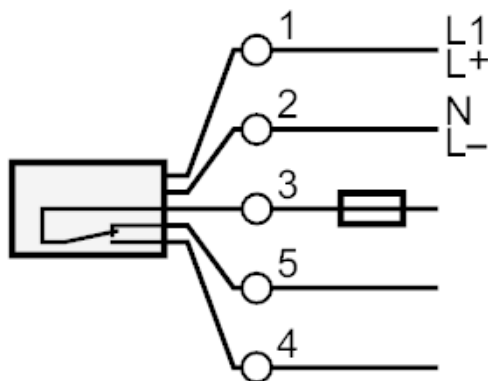
Retro-reflective sensor

OAP-FKOAT

Electrical connection

terminals: ...1.5 mm²; Cable sheath: Ø 4.5...10 mm; Cable gland: M16 X 1.5

Connection



Note : miniature fuse to IEC60127-2 sheet 1 ≤ 5 A fast acting

Diagrams and graphs

excess gain graph

