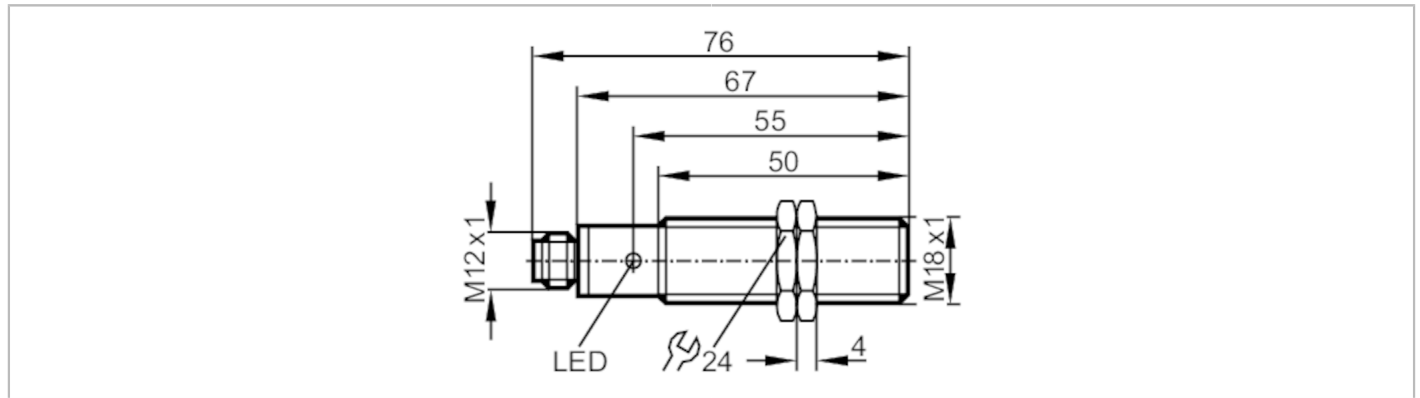


IG5773



Inductive sensor

IGA2005-FRKG/US-100-IRF RT



Electrical data		
Operating voltage	[V]	10...55 DC
Protection class		II
Reverse polarity protection		yes
Outputs		
Electrical design		PNP/NPN
Output function		normally open / normally closed; (selectable)
Max. voltage drop switching output DC	[V]	4.6
Minimum load current	[mA]	4
Max. leakage current	[mA]	0.8
Permanent current rating of switching output DC	[mA]	300
Switching frequency DC	[Hz]	700
Short-circuit protection		yes
Type of short-circuit protection		pulsed
Overload protection		yes
Detection zone		
Sensing range	[mm]	5
Real sensing range Sr	[mm]	5 ± 10 %
Operating distance	[mm]	0...4.05
Accuracy / deviations		
Correction factor		steel: 1 / stainless steel: 0.7 / brass: 0.4 / aluminium: 0.4 / copper: 0.3
Hysteresis	[% of Sr]	3...15
Switch point drift	[% of Sr]	-10...10
Operating conditions		
Ambient temperature	[°C]	-25...80
Protection		IP 67

IG5773



Inductive sensor

IGA2005-FRKG/US-100-IRF RT

Tests / approvals		
EMC	EN 60947-5-2	
	EN 55011	class B
MTTF	[years]	1835
UL approval	Ta	0...40 °C
	Enclosure type	Type 1
	voltage supply	Unlimited Voltage
	File number UL	E174191

Mechanical data		
Weight	[g]	68
Housing		threaded type
Mounting		flush mountable
Dimensions	[mm]	M18 x 1 / L = 76
Thread designation		M18 x 1
Materials		brass white bronze coated; PC

Displays / operating elements		
Display	switching status	1 x LED, red

Accessories		
Accessories (supplied)		lock nuts: 2

Remarks		
Pack quantity		1 pcs.

Electrical connection - plug

Connector: 1 x M12



IG5773



Inductive sensor

IGA2005-FRKG/US-100-IRF RT

normally open

