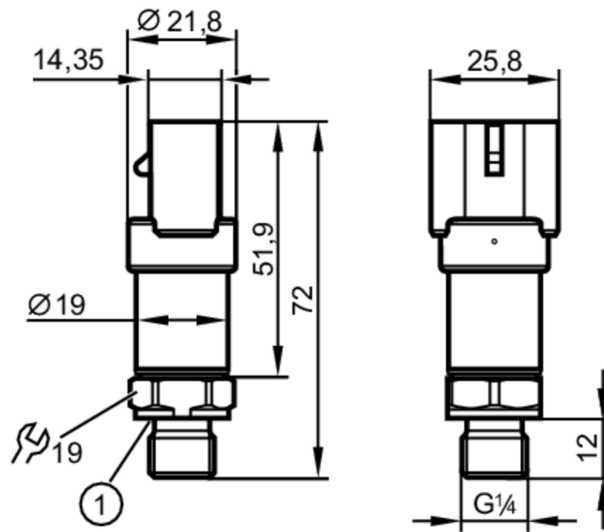


# PT5660



## Pressure transmitter

PT-600-SEG14-A-ZVG/AM



1 Sealing



### Application

Application	for mobile applications
Media	liquids and gases
Medium temperature [°C]	-40...125
Pressure rating [bar]	1500
Note on pressure rating	static
Min. bursting pressure [bar]	2500
Vacuum resistance [mbar]	-1000
Type of pressure	relative pressure

### Electrical data

Operating voltage [V]	8...32 DC
Min. insulation resistance [MΩ]	100; (500 V DC)
Protection class	III
Reverse polarity protection	yes

### Inputs / outputs

Number of inputs and outputs	Number of analogue outputs: 1
------------------------------	-------------------------------

### Outputs

Total number of outputs	1
Output signal	analogue signal
Number of analogue outputs	1
Analogue current output [mA]	4...20
Max. load [Ω]	(U <sub>b</sub> - 8 V) / 20 mA
Short-circuit proof	yes
Overload protection	yes

# PT5660



## Pressure transmitter

PT-600-SEG14-A-ZVG/AM

Measuring/setting range	
Measuring range [bar]	0...600
Accuracy / deviations	
Repeatability [% of the span]	< ± 0,05; (with temperature fluctuations < 10 K)
Characteristics deviation [% of the span]	< ± 0,8; (incl. drift when overtightened, zero point and span error, non-linearity, hysteresis)
Linearity deviation [% of the span]	< ± 0,25 (BFSL) / < ± 0,5 (LS)
Hysteresis deviation [% of the span]	< ± 0,2
Long-term stability [% of the span]	< ± 0,1; (per 6 months)
Temperature coefficient zero point [% of the span / 10 K]	< ± 0,1 (0...80 °C); < ± 0,2 (-40...0 °C / 80...125 °C)
Temperature coefficient span [% of the span / 10 K]	< ± 0,1 (0...80 °C); < ± 0,2 (-40...0 °C / 80...125 °C)
Response times	
Step response time analogue output [ms]	2
Operating conditions	
Ambient temperature [°C]	-40...100
Storage temperature [°C]	-40...100
Protection	IP 67; IP 69K
Tests / approvals	
EMC	conforms to UN ECE 10 rev. 4 ISO 11452-2 DIN EN 61326-1
Shock resistance	DIN EN 60068-2-27 500 g (1 ms)
Vibration resistance	DIN EN 60068-2-6 20 g (10...2000 Hz)
MTTF [years]	700
Pressure Equipment Directive	Modul A; can be used for group 2 fluids; group 1 fluids on request
Mechanical data	
Weight [g]	64
Materials	1.4542 (17-4 PH / 630); stainless steel (1.4404 / 316L); PPS
Materials (wetted parts)	1.4542 (17-4 PH / 630)
Min. pressure cycles	60 million; (at 1.2 times nominal pressure)
Tightening torque [Nm]	30...50; (recommended tightening torque; depends on lubrication, seal and pressure rating)
Process connection	threaded connection G 1/4 external thread (DIN EN ISO 1179-2)
Process connection sealing	HNBR (to DIN 3869)
Restrictor element integrated	yes
Remarks	
Remarks	BFSL = Best Fit Straight Line LS = limit value setting
Pack quantity	1 pcs.

# PT5660



## Pressure transmitter

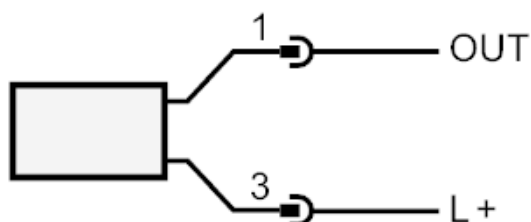
PT-600-SEG14-A-ZVG/AM

### Electrical connection

Connector: 1 x AMP-Superseal; Maximum cable length: 30 m



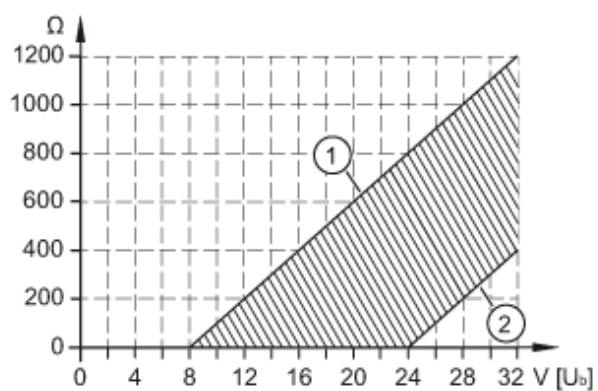
### Connection



OUT analogue output

### Diagrams and graphs

characteristic load curve of current output



1: Max. load

2: min. load