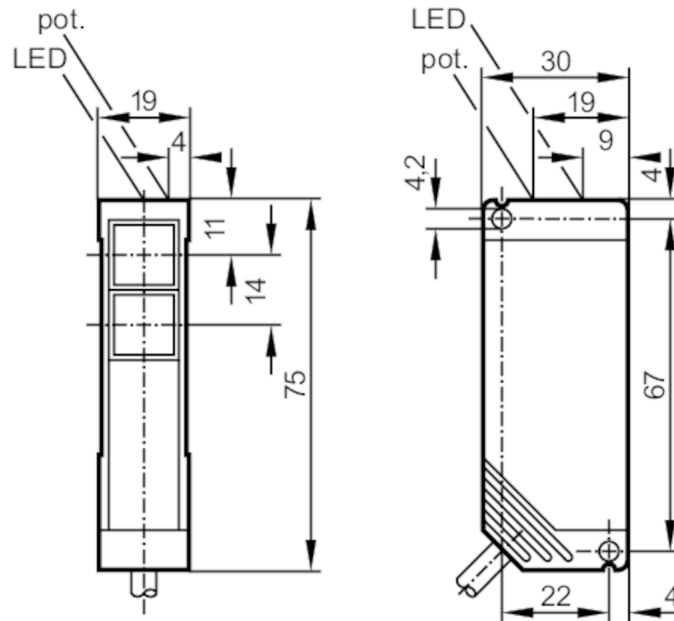


OT5015



Retro-reflective sensor

OTP-FPKG



- 1 potentiometer
receiver in lower lens
transmitter in upper lens



Application

Function principle Retro-reflective sensor

Electrical data

Operating voltage [V]	10...55 DC
Current consumption [mA]	35; ((24 V))
Protection class	II
Reverse polarity protection	yes
Type of light	red light
Wave length [nm]	660

Outputs

Electrical design	PNP
Output function	light-on/dark-on mode; (programmable)
Max. voltage drop switching output DC [V]	2.5
Permanent current rating of switching output DC [mA]	250
Switching frequency DC [Hz]	150
Short-circuit protection	yes
Type of short-circuit protection	pulsed
Overload protection	yes

OT5015



Retro-reflective sensor

OTP-FPKG

Detection zone		
Range referred to prismatic reflector [m]	0.2...2; (Prismatic reflector Ø 80 E20005)	
Max. light spot diameter [mm]	280	
Light spot dimensions refer to	at maximum range	
Polarisation filter available	yes	
Operating conditions		
Ambient temperature [°C]	-25...60	
Protection	IP 67	
Tests / approvals		
EMC	EN 60947-5-2	
	EN 55011	class B
MTTF [years]	585	
Mechanical data		
Weight [g]	202.4	
Housing	rectangular	
Dimensions [mm]	75 x 19 x 30	
Materials	PBT	
Lens material	PMMA	
Lens alignment	side lens	
Displays / operating elements		
Display	switching status	1 x LED, yellow
	operation	1 x LED, green
Accessories		
Accessories (supplied)	Angle bracket: 1 x, E20441 screwdrivers	
Remarks		
Notes	discontinued article	
Pack quantity	1 pcs.	

OT5015



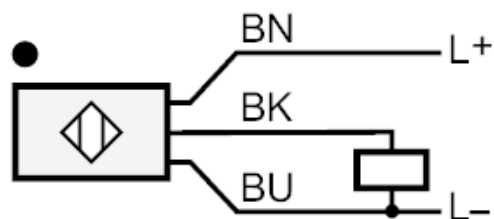
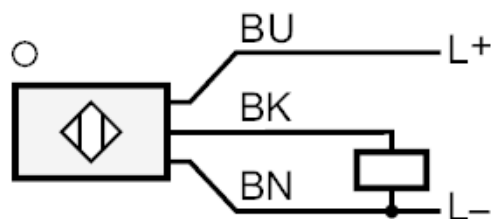
Retro-reflective sensor

OTP-FPKG

Electrical connection

Cable: 2 m, PVC; 3 x 0.34 mm²

Connection



Core colours :

BN = brown
BU = blue
BK = black

OT5015



Retro-reflective sensor

OTP-FPKG

Diagrams and graphs

excess gain graph

