

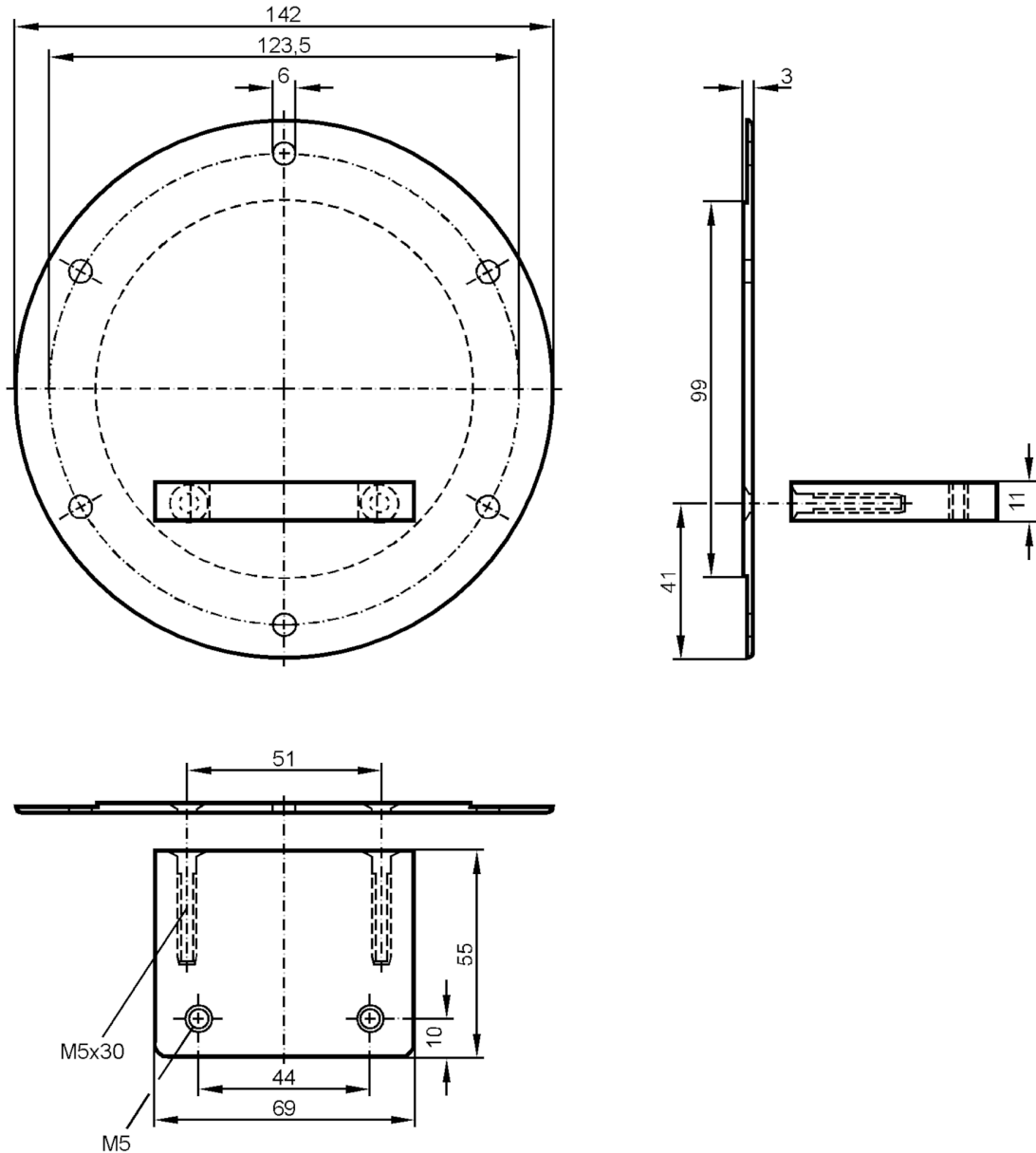
# E10332



## Tank wall mounting set for capacitive sensors

MOUNTING SET KB/KI

Status Archive



### Application

Design	for capacitive level monitoring
Installation	at silo walls and containers

### Mechanical data

Weight	[g]	102.8
Materials	PC transparent; clip block: ABS black	

### Accessories

Accessories (supplied)	screws: 2 x M5 x 25
------------------------	---------------------

# E10332



## Tank wall mounting set for capacitive sensors

MOUNTING SET KB/KI

Remarks	
Notes	discontinued article
Pack quantity	1 pcs.

Status Archive

---