

RO6343

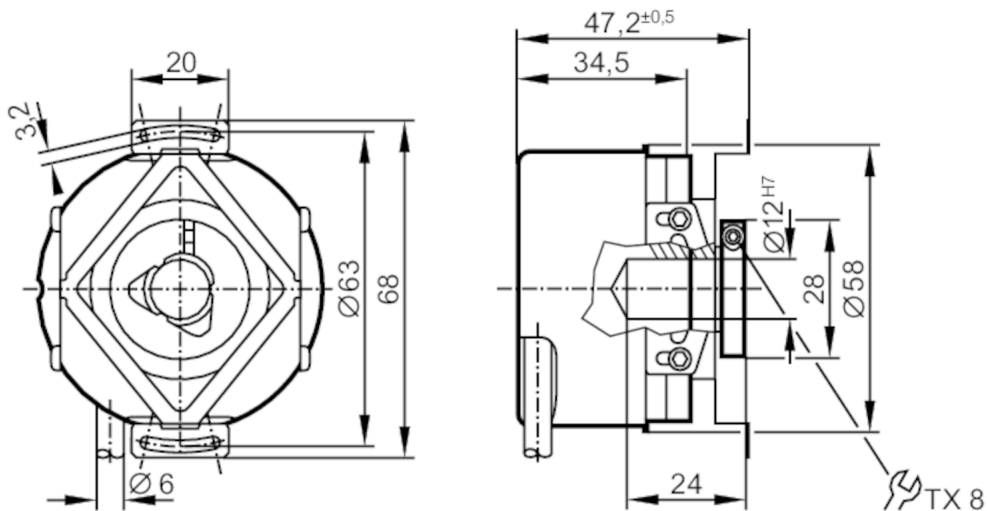


Incremental encoder with hollow shaft

RO-0360-I24/N1U

Status Archive

/ROP521 + E12402



Application

Function principle incremental

Electrical data

Operating voltage [V] 10...30 DC
 Current consumption [mA] < 150

Outputs

Electrical design HTL
 Max. current load per output [mA] 50
 Switching frequency [kHz] 300
 Type of short-circuit protection < 60 s
 Phase difference A und B [°] 90

Measuring/setting range

Resolution 360 resolution

Operating conditions

Ambient temperature [°C] -40...100
 Max. relative air humidity [%] 98
 Protection IP 64; (on the housing: IP 67; on the shaft: IP 64)

Tests / approvals

Shock resistance 200 g
 Vibration resistance 30 g
 MTTF [years] 190

RO6343



Incremental encoder with hollow shaft

RO-0360-I24/N1U

Mechanical data	
Weight [g]	454.2
Dimensions [mm]	Ø 58 / L = 35.5
Materials	aluminium
Max. revolution, mechanical [U/min]	12000
Max. starting torque [Nm]	1
Reference temperature torque [°C]	20
Shaft design	hollow shaft open to one side
Shaft diameter [mm]	12
Shaft fit	H7
Shaft material	stainless steel
Installation depth of shaft [mm]	10
Max. axial shaft misalignment [mm]	1; (max. radial shaft alignment: ± 0,05 mm)

Remarks	
Notes	discontinued article

Electrical connection

Cable: 1 m, PUR; Maximum cable length: 300 m; radial, can also be used axially

brown	A
green	A inverted
grey	B
pink	B inverted
red	0 index
black	0 index inverted
blue	L+ sensor
white	0V sensor
brown/green	L+ (Up)
white/green	0V (Un)
screen	housing
lilac	failure inverted

Diagrams and graphs

Pulse diagram	<p>Output A Output B 0 index</p>
---------------	--

Status Archive

/ROP521 + E12402