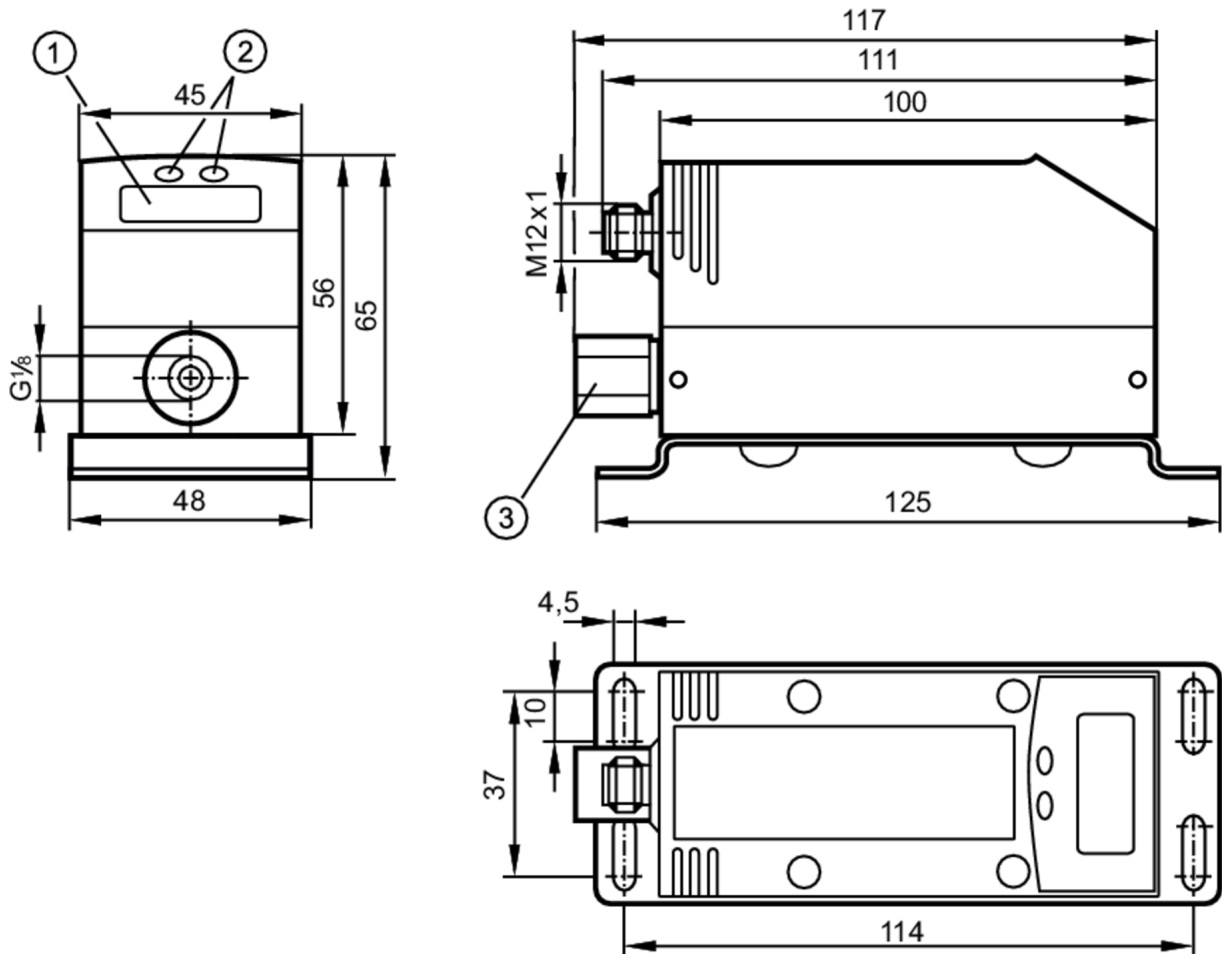


# SQ0500



## Flow meter

SQR18DXBFPKG/US-100



- 1 alphanumeric display 4-digit
- 2 programming buttons
- 3 flow conditioner



Application	
Media	water; hydrous media
Medium temperature [°C]	0...60
Pressure rating [bar]	10
Electrical data	
Operating voltage [V]	19...30 DC; (according to EN 50178 SELV/PELV)
Current consumption [mA]	< 110
Protection class	III
Reverse polarity protection	yes
Power-on delay time [s]	5
Inputs / outputs	
Number of inputs and outputs	Number of digital outputs: 2; Number of analogue outputs: 1

# SQ0500



## Flow meter

SQR18DXBFPKG/US-100

Outputs		
Total number of outputs		2
Output signal		switching signal; analogue signal; pulse signal; (configurable)
Electrical design		PNP
Number of digital outputs		2
Output function		normally open / normally closed; (parameterisable)
Max. voltage drop switching output DC	[V]	2
Permanent current rating of switching output DC	[mA]	250; (per output)
Number of analogue outputs		1
Analogue current output	[mA]	4...20; (scalable)
Max. load	[Ω]	500
Pulse output		consumed quantity meter
Short-circuit protection		yes
Type of short-circuit protection		pulsed
Short-circuit proof		yes
Overload protection		yes
Measuring/setting range		
Measuring range	[ml/min]	1...200
Display range	[ml/min]	0...240
Set point SP	[ml/min]	6...200
Reset point rP	[ml/min]	1...195
Analogue start point ASP	[ml/min]	0...150
Analogue end point AEP	[ml/min]	50...200
Measuring dynamics		1:200
In steps of	[ml/min]	1
volumetric flow quantity monitoring		
Pulse value		0.1...2000000000 ml
In steps of		0.1...1000000 ml
Pulse length	[s]	0,0125...2
Temperature monitoring		
Measuring range	[°C]	0...60
Display range	[°C]	0...72
Set point SP	[°C]	1.8...60
Reset point rP	[°C]	0.3...58.5
Analogue start point	[°C]	0...45
Analogue end point	[°C]	15...60
In steps of	[°C]	0.1

# SQ0500



## Flow meter

SQR18DXBFPKG/US-100

Accuracy / deviations		
Flow monitoring		
Accuracy (in the measuring range)	± (15 % MW + 2 % MEW); (The values apply for the following conditions: Application: water; Medium temperature: 20 °C; Ambient temperature: 22...28 °C; unit with mounted flow conditioner)	
Repeatability	± 3% MW	
Response times		
Flow monitoring		
Response time	[s]	0.3; (dAP = 0; for rising flow; for falling flow)
Damping for the switching output dAP	[s]	1...5
Damping for the switching output dAP in steps	[s]	0 - 0,2 - 0,4 - 0,6 - 0,8 - 1...5
Software / programming		
Parameter setting options	Flow monitoring; quantity meter; Preset counter; Temperature monitoring	
Operating conditions		
Ambient temperature	[°C]	0...60
Storage temperature	[°C]	-25...85
Protection		IP 65
Tests / approvals		
EMC	EN 61000-4-2 ESD	4 kV CD / 8 kV AD
	EN 61000-4-3 HF radiated	10 V/m
	EN 61000-4-4 Burst	2 kV
	EN 61000-4-6 HF conducted	10 V
Shock resistance	DIN IEC 68-2-27	30 g (11 ms)
Vibration resistance	DIN IEC 68-2-6	5 g (55...2000 Hz)
MTTF	[years]	231
Mechanical data		
Weight	[g]	456.5
Materials	stainless steel (1.4404 / 316L); PC; PBT-GF20; POM; FKM	
Materials (wetted parts)	stainless steel (1.4404 / 316L); NBR	
Process connection	threaded connection G 1/8	
Displays / operating elements		
Display	Display unit	3 x LED, green (ml/min, ml, °C)
	function display	2 x LED, yellow
	switching status	2 x LED, yellow
	measured values	alphanumeric display, 4-digit
	programming	alphanumeric display, 4-digit
Remarks		
Remarks	MW = measured value	
	MEW = Final value of the measuring range	
	Pressure drop without flow conditioner: max. 5 mbar.	
	Pressure drop with flow conditioner: max. 23 mbar.	
Pack quantity	1 pcs.	

# SQ0500



## Flow meter

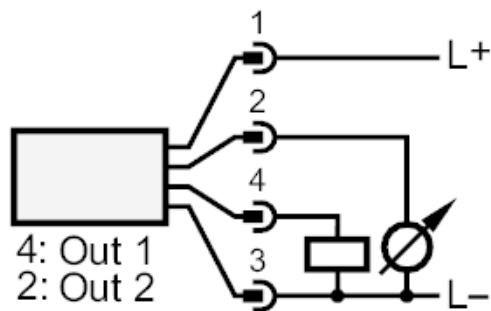
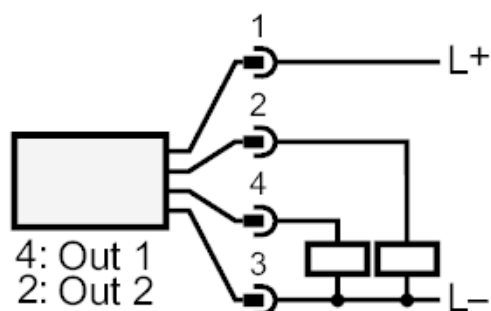
SQR18DXBFPKG/US-100

### Electrical connection

Connector: 1 x M12



### Connection



- OUT1:            switching output  
                  Pulse output quantity meter  
                  signal output Preset counter
- OUT2:            switching output  
                  analogue output