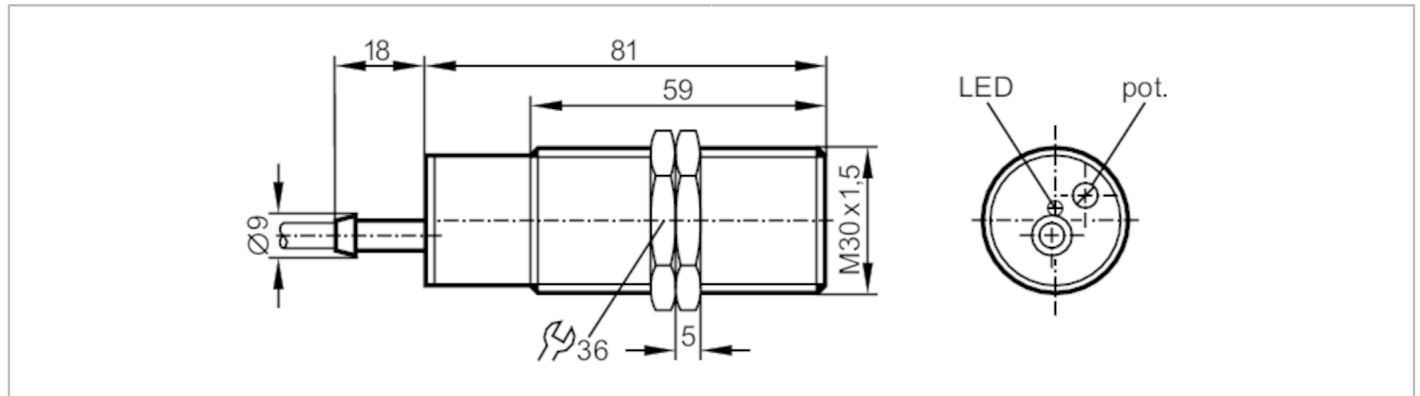


# KI5210



## Capacitive sensor

KI-3015-FNKG/NI/0,10M/PH/US100



Electrical data		
Operating voltage	[V]	10...36 DC
Current consumption	[mA]	< 15
Protection class		II
Reverse polarity protection		yes
Outputs		
Electrical design		NPN
Output function		normally open / normally closed; (selectable)
Max. voltage drop switching output DC	[V]	2.5
Permanent current rating of switching output DC	[mA]	250
Short-time current rating of switching output	[mA]	250
Switching frequency DC	[Hz]	40
Short-circuit proof		yes
Overload protection		yes
Detection zone		
Sensing range	[mm]	3...15
Sensing range adjustable		yes
Factory setting sensing range	[mm]	15
Real sensing range Sr	[mm]	15 ± 10 %
Operating distance	[mm]	0...12.1
Accuracy / deviations		
Correction factor		glass: 0.4 / water: 1 / ceramics: 0.2 / PVC: 0.2
Hysteresis	[% of Sr]	1...15
Switch point drift	[% of Sr]	-15...15
Operating conditions		
Ambient temperature	[°C]	-25...80
Protection		IP 65
Tests / approvals		
MTTF	[years]	694

# KI5210



## Capacitive sensor

KI-3015-FNKG/NI/0,10M/PH/US100

Mechanical data		
Weight	[g]	110
Housing		threaded type
Mounting		non-flush mountable
Dimensions	[mm]	M30 x 1.5 / L = 81
Thread designation		M30 x 1.5
Materials		PBT

Displays / operating elements		
Display	switching status	1 x LED, red

Electrical connection	
Connection	plug

Accessories	
Accessories (supplied)	lock nuts: 2 screwdriver: 1

Remarks	
Notes	discontinued article
Pack quantity	1 pcs.

### Electrical connection - plug

Cable: 0.1 m, PUR

Connector: 1 x M12



normally open

