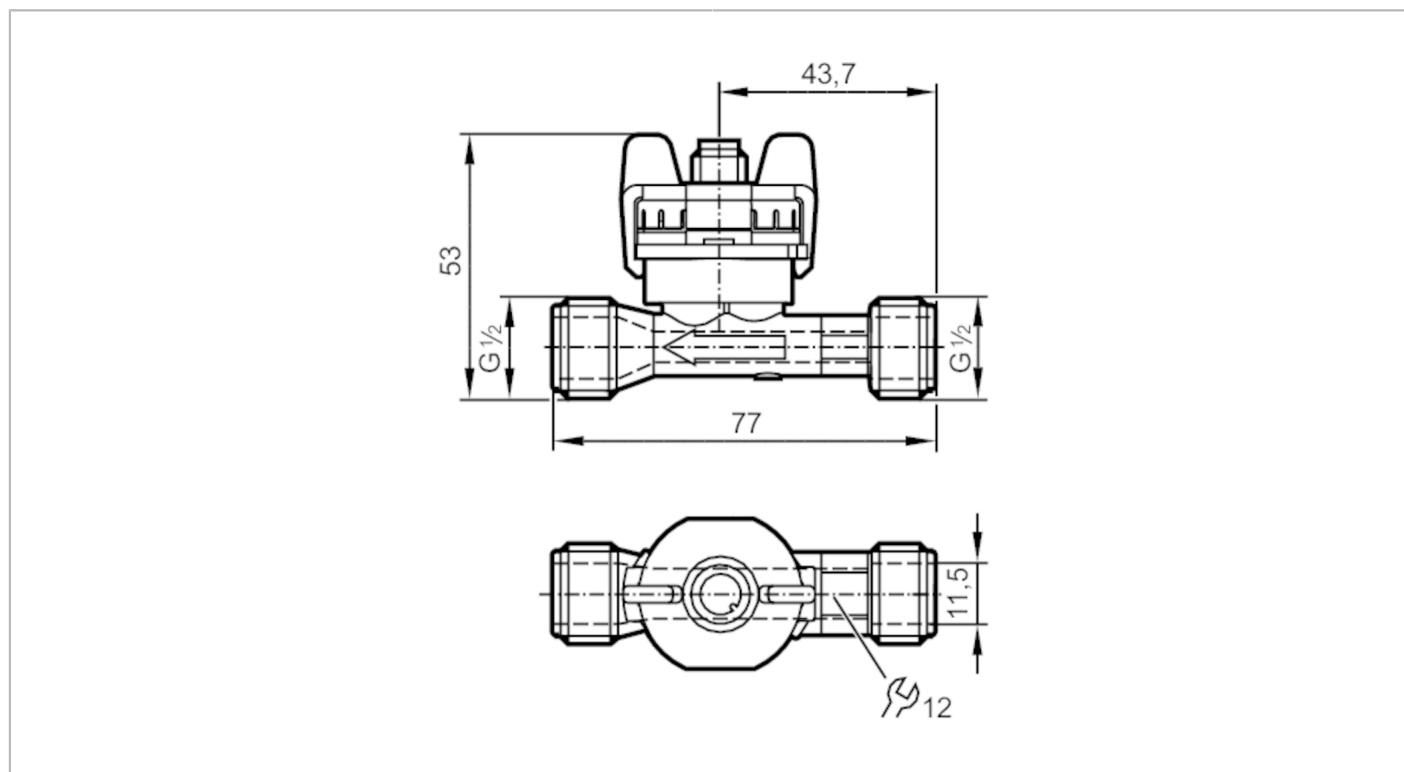


SV3050



Vortex flow meter

SVM12XXXD0KG/US-100



Application	
Application	for industrial applications
Installation	connection to pipe by means of an adapter
Media	water; glycol solutions; coolants
Medium temperature [°C]	-40...100
Min. bursting pressure [bar]	25
Pressure rating [bar]	12
Note on pressure rating	up to 40 °C
Electrical data	
Operating voltage [V]	8...33 DC
Min. insulation resistance [MΩ]	100; (500 V DC)
Protection class	III
Power-on delay time [s]	< 2
Inputs / outputs	
Number of inputs and outputs	Number of analogue outputs: 1
Outputs	
Total number of outputs	1
Output signal	analogue signal
Number of analogue outputs	1
Analogue current output [mA]	4...20; ($Q [l/min] = 0,625 \times (I - 4 \text{ mA})$)
Max. load [Ω]	$< (U_b - 8 \text{ V}) / 20 \text{ mA}$; $U_b = 24 \text{ V}$: 800

SV3050



Vortex flow meter

SVM12XXXD0KG/US-100

Measuring/setting range		
Measuring range	0.5...10 l/min	0.074...1.474 m/s
Accuracy / deviations		
Flow monitoring		
Accuracy (in the measuring range)	Q < 50 % MEW: < 1 % MEW / Q > 50 % MEW: < 2 % MW; (water)	
Repeatability	0,2; (% of the final value)	
Response times		
Flow monitoring		
Response time [s]	0.5	
Operating conditions		
Ambient temperature [°C]	-15...85	
Storage temperature [°C]	-30...85	
Protection	IP 65	
Cavitation	P(absolute) discharge / P(difference) > 5.5 to avoid cavitation	
Tests / approvals		
EMC	EN 61326-2-3	
Shock resistance	DIN EN 60068-2-27	30 g (11 ms)
Vibration resistance	DIN EN 60068-2-6	with water / 10...61 Hz 1 mm
		with water / 61...2000 Hz 2 g
MTTF [years]	380	
Pressure Equipment Directive	Sound Engineering Practice; can be used for group 2 fluids; group 1 fluids on request	
Mechanical data		
Weight [g]	145.2	
Materials	PA 6T	
Materials (wetted parts)	ETFE; PA 6T; FKM	
Tightening torque [Nm]	12	
Process connection	threaded connection G 1/2 DN6	
Remarks		
Remarks	MW = measured value MEW = Final value of the measuring range	
Pack quantity	1 pcs.	
Electrical connection		
Connector: 1 x M12; Contacts: gold-plated		

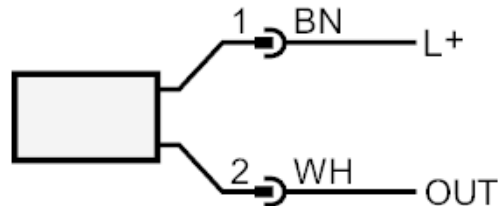
SV3050



Vortex flow meter

SVM12XXXD0KG/US-100

Connection



OUT: analogue output
colours to DIN EN 60947-5-2

Core colours :

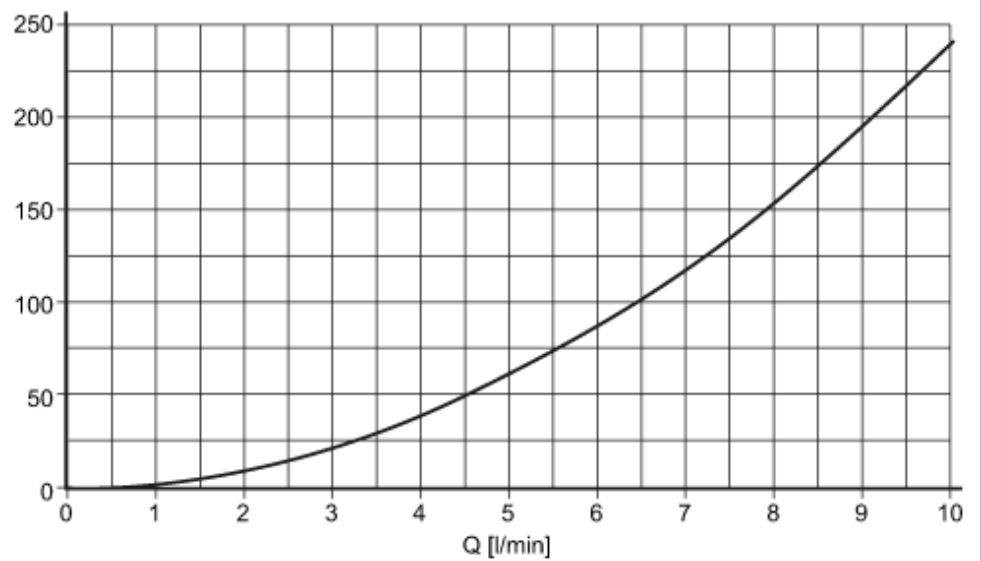
BN = brown

WH = white

Diagrams and graphs

Pressure loss

dP [mbar] DN6



dP Pressure loss

Q volumetric flow quantity

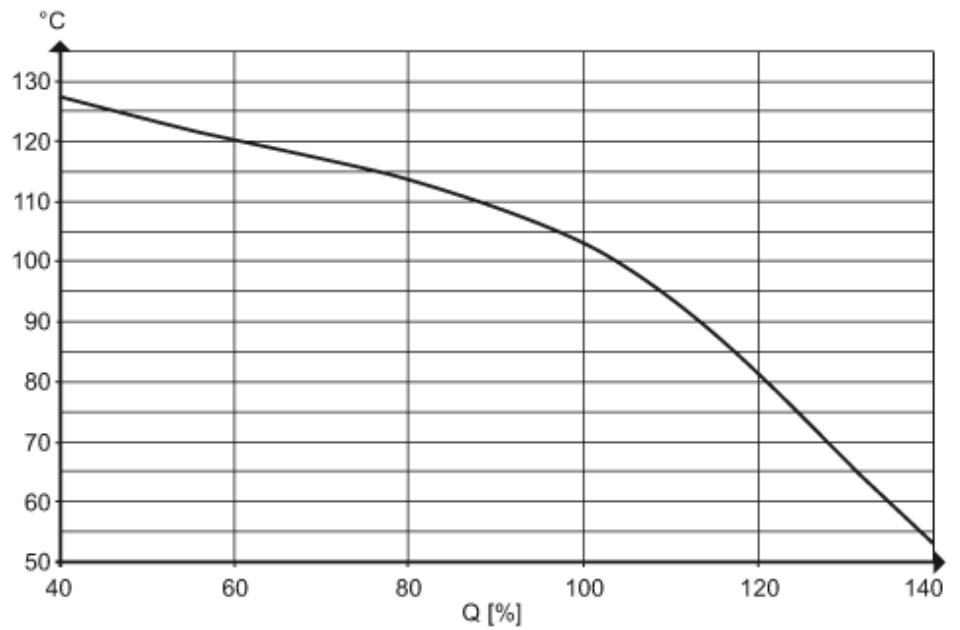
SV3050



Vortex flow meter

SVM12XXXD0KG/US-100

min. life 10 years referred to flow
and high medium temperatures



pressure rating (bar)

