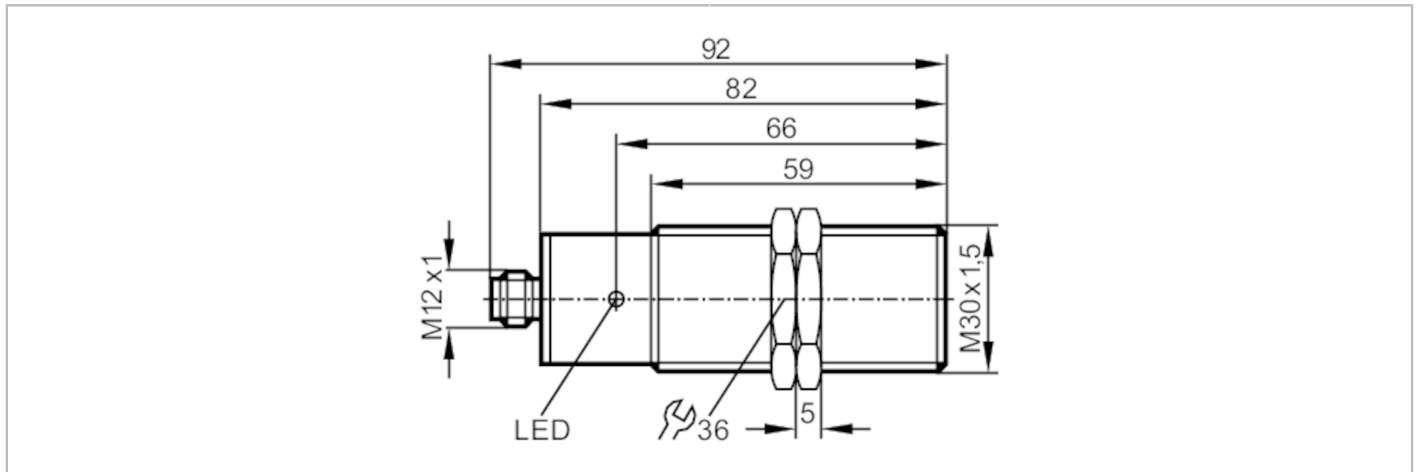


II5447



Inductive sensor

IIA3010-BPKG/US-100-DPS



Electrical data		
Operating voltage	[V]	10...36 DC
Current consumption	[mA]	15; (24 V)
Protection class		II
Reverse polarity protection		yes
Outputs		
Electrical design		PNP
Output function		normally open
Max. voltage drop switching output DC	[V]	2.5
Permanent current rating of switching output DC	[mA]	250
Switching frequency DC	[Hz]	250
Short-circuit protection		yes
Type of short-circuit protection		pulsed
Overload protection		yes
Detection zone		
Sensing range	[mm]	10
Real sensing range Sr	[mm]	10 ± 10 %
Operating distance	[mm]	0...8.1
Accuracy / deviations		
Correction factor		steel: 1 / stainless steel: 0.7 / brass: 0.4 / aluminium: 0.3 / copper: 0.2
Hysteresis	[% of Sr]	1...15
Switch point drift	[% of Sr]	-10...10
Operating conditions		
Ambient temperature	[°C]	-25...80
Protection		IP 65

II5447



Inductive sensor

IIA3010-BPKG/US-100-DPS

Tests / approvals

EMC		EN 60947-5-2	
MTTF	[years]		1853

Mechanical data

Weight	[g]		167
Housing			threaded type
Mounting			flush mountable
Dimensions	[mm]		M30 x 1.5 / L = 92
Thread designation			M30 x 1.5
Materials			brass nickel-plated; PBT

Displays / operating elements

Display		switching status	1 x LED, yellow
---------	--	------------------	-----------------

Accessories

Accessories (supplied)			lock nuts: 2
------------------------	--	--	--------------

Remarks

Pack quantity			1 pcs.
---------------	--	--	--------

Electrical connection - plug

Connector: 1 x M12



Connection

