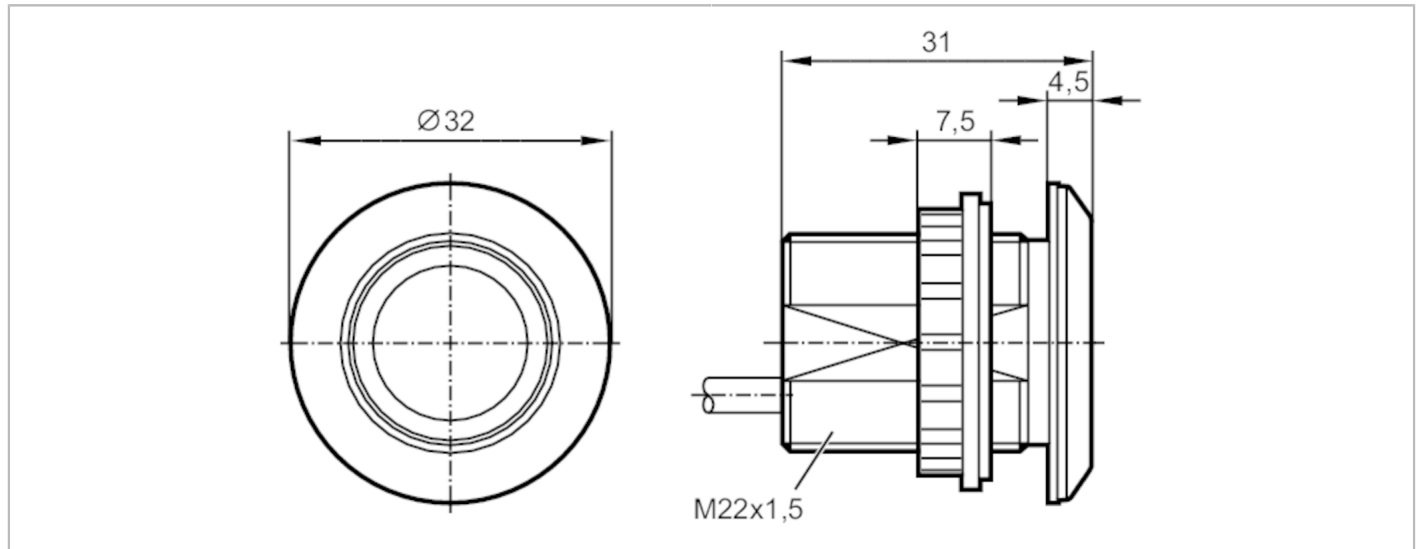


# KT5309



## Capacitive illuminated pushbutton

KTMDF-EGRBPKG/2M



Application		
Operating principle		dynamic
Electrical data		
Operating voltage [V]		12...30 DC
Current consumption [mA]		30
Protection class		III
Reverse polarity protection		yes
Max. power-on delay time [ms]		500
Outputs		
Electrical design		PNP
Output function		normally open
Permanent current rating of switching output DC [mA]		200
Short-circuit protection		yes
Overload protection		yes
Length of output signal [ms]		300
Response times		
Response time [ms]		35
Operating conditions		
Ambient temperature [°C]		-40...85
Protection		IP 65; IP 67; IP 69K; (on the front)
Tests / approvals		
EMC		IEC 61000-4
Mechanical data		
Weight [g]		122
Dimensions [mm]		Ø 32 / L = 31
Materials		stainless steel (1.4404 / 316L); active face: PA Grilamid TR 90UV

# KT5309



## Capacitive illuminated pushbutton

KTMDF-EGRBPKG/2M

### Displays / operating elements

Display	switching status	1 x LED, red
	function	1 x LED, green can be triggered

### Accessories

Accessories (supplied)	lock nuts: 1
	Gasket: 1
Accessories (optional)	symbol disc

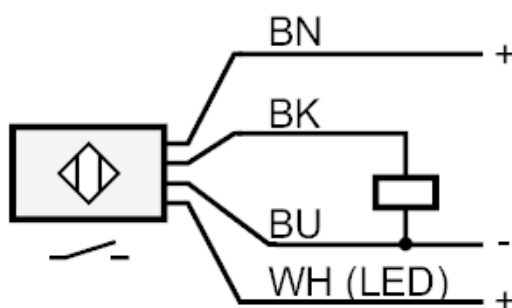
### Remarks

Pack quantity	1 pcs.
---------------	--------

### Electrical connection

Cable: 2 m, PUR

### Connection



Core colours :

- BK = black
- BN = brown
- BU = blue
- WH = white