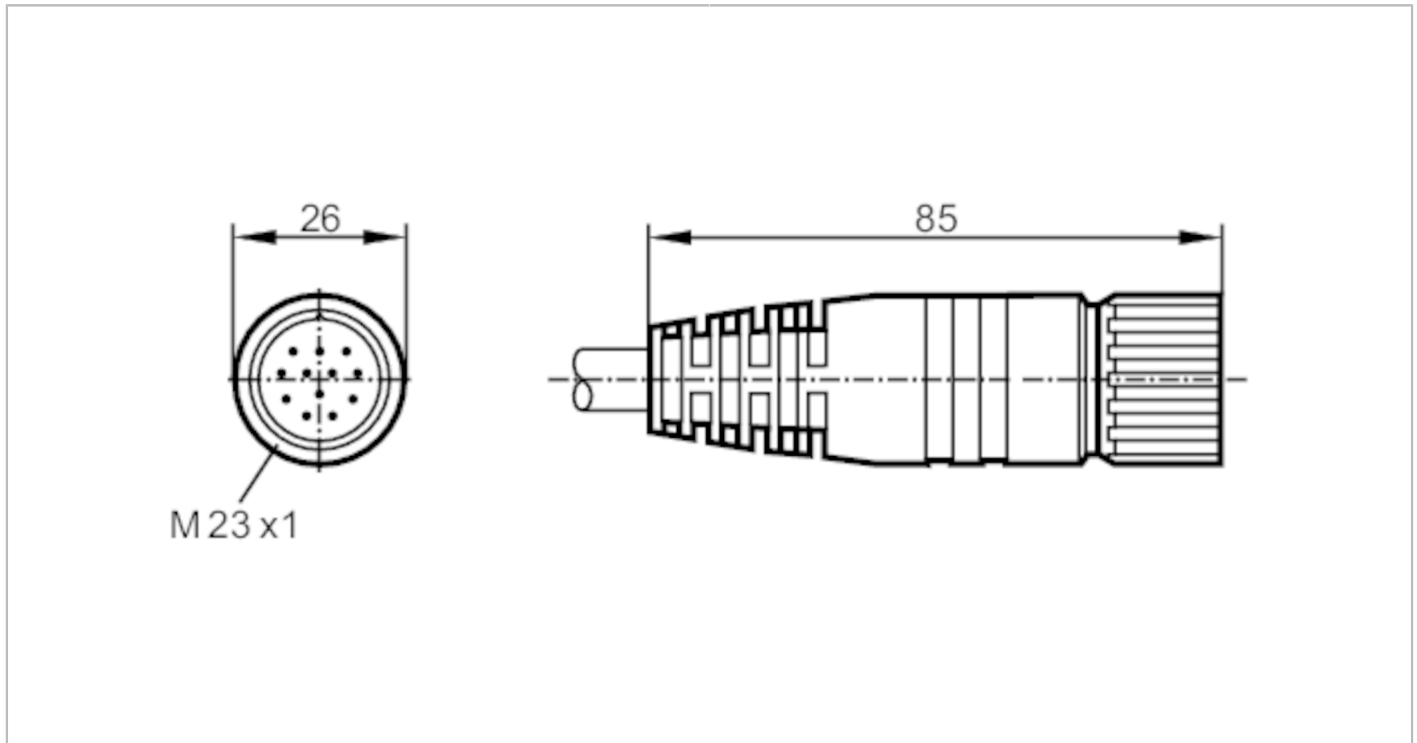


# E11742



## Connecting cable with socket

ADOGK190MSS0005H19



### Electrical data

Operating voltage	[V]	< 63 AC/DC
Max. current load total	[A]	8

### Operating conditions

Ambient temperature	[°C]	-25...80
Protection		IP 67

### Mechanical data

Weight	[g]	1108.8
Dimensions	[mm]	26 x 26 x 85
Materials		PUR black
Material nut		brass
Tightening torque	[Nm]	2

### Remarks

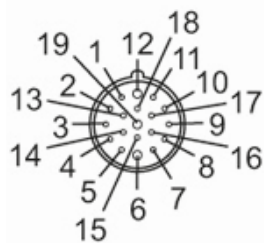
Pack quantity		1 pcs.
---------------	--	--------

### Electrical connection

Cable: 5 m, PUR, Halogen-free, black, Ø 11.6 mm; 16 x 0.5 mm<sup>2</sup> (63 x Ø 0.1 mm ) + 3 x 1.0 mm<sup>2</sup> (127 x Ø 0.1 mm )

### Electrical connection - socket

Connector: 1 x M23, straight; Moulded body: PUR; Locking: brass, nickel-plated



# E11742



## Connecting cable with socket

ADOGK190MSS0005H19

### Connection

1	VT
2	RD
3	GY
4	RD/BU
5	GN
6	BU
7	GY/PK
8	WH/GN
9	WH/YE
10	WH/GY
11	BK
12	GN/YE
13	YE/BN
14	BN/GN
15	WH
16	YE
17	PK
18	GY/BN
19	BN

#### Core colours :

BK =	black
BN =	brown
BU =	blue
GN =	green
GY =	grey
PK =	pink
RD =	red
VT =	lilac
WH =	white
YE =	yellow

# E11742

## Connecting cable with socket

ADOGK190MSS0005H19

