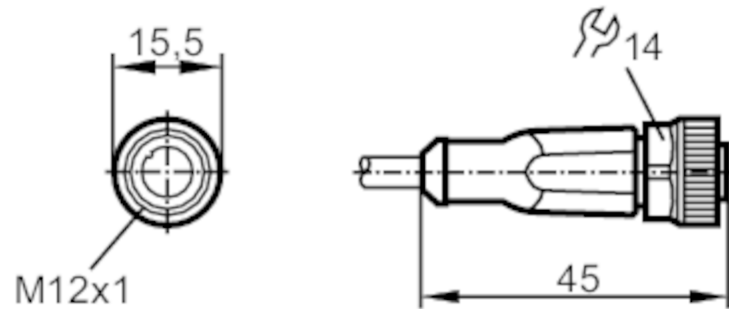




## Connecting cable with socket

ADOGH050MSS0015H05



### Application

Free from silicone yes

### Electrical data

Operating voltage [V] < 60 AC/DC

Protection class II

Max. current load total [A] 4; (cULus: 3)

### Operating conditions

Ambient temperature [°C] -25...90

Note on ambient temperature cULus: ...75

Ambient temperature (moving) [°C] -25...90

Note on ambient temperature (moving) cULus: ...75

Protection IP 65; IP 67; IP 68; IP 69K

### Mechanical data

Weight [g] 521

Dimensions [mm] 15.5 x 15.5 x 45

Materials housing: TPU orange; Sealing: FKM

Material nut brass

	bending radius for flexible use	min. 10 x cable diameter
Drag chain suitability	travel speed	max. 3.3 m/s for a horizontal travel length of 5 m and max. acceleration of 5 m/s <sup>2</sup>
	bending cycles	> 5 Mio.
	torsional strain	± 180 °/m

Drag chain suitability yes

# EVC197



## Connecting cable with socket

ADOGH050MSS0015H05

### Remarks

Pack quantity

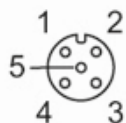
1 pcs.

### Electrical connection

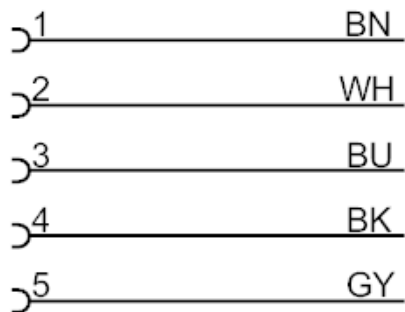
Cable: 15 m, PUR, Halogen-free, black, Ø 4.9 mm; 5 x 0.34 mm<sup>2</sup> (42 x Ø 0.1 mm )

### Electrical connection - socket

Connector: 1 x M12, straight; Locking: brass, nickel-plated; Contacts: gold-plated; Tightening torque: 0.6...1.5 Nm



### Connection



#### Core colours :

BK =	black
BN =	brown
BU =	blue
GY =	grey
WH =	white