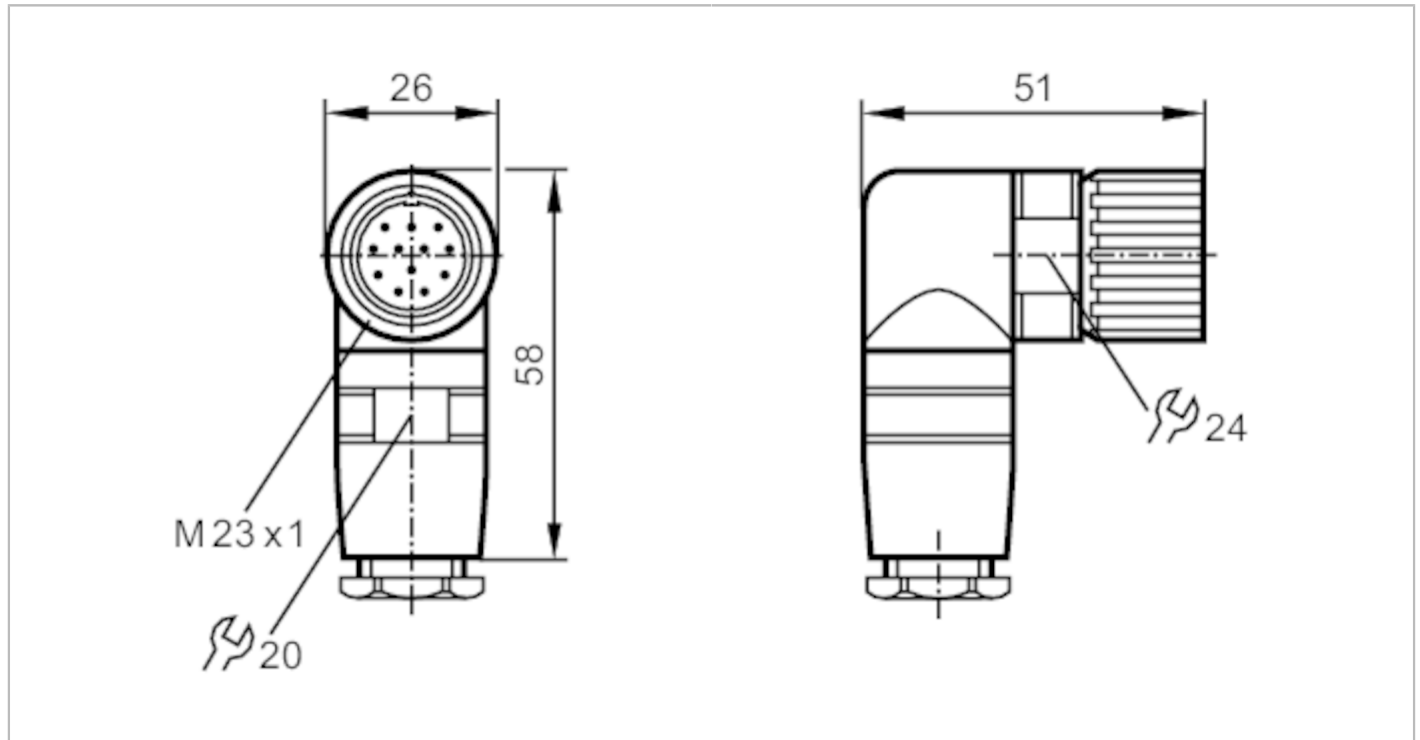


# E10447



## Wirable socket

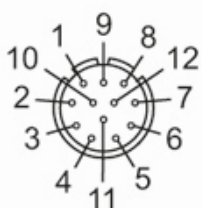
SDOAM120MSSFKPG



| Electrical data         |      |                     |
|-------------------------|------|---------------------|
| Operating voltage       | [V]  | 10...30 DC          |
| Max. current load total | [A]  | 7.5                 |
| Operating conditions    |      |                     |
| Ambient temperature     | [°C] | -25...90            |
| Protection              |      | IP 65               |
| Mechanical data         |      |                     |
| Weight                  | [g]  | 149.2               |
| Dimensions              | [mm] | 51 x 26 x 58        |
| Materials               |      | brass nickel-plated |
| Material nut            |      | brass               |
| Remarks                 |      |                     |
| Pack quantity           |      | 1 pcs.              |

**Electrical connection**  
soldering: ...1 mm<sup>2</sup>; Cable sheath: Ø 10...14 mm

**Electrical connection - socket**  
Connector: 1 x M23, angled; Moulded body: brass, nickel-plated; Locking: brass, nickel-plated



# E10447

## Wirable socket

SDOAM120MSSFKPG



### Connection

