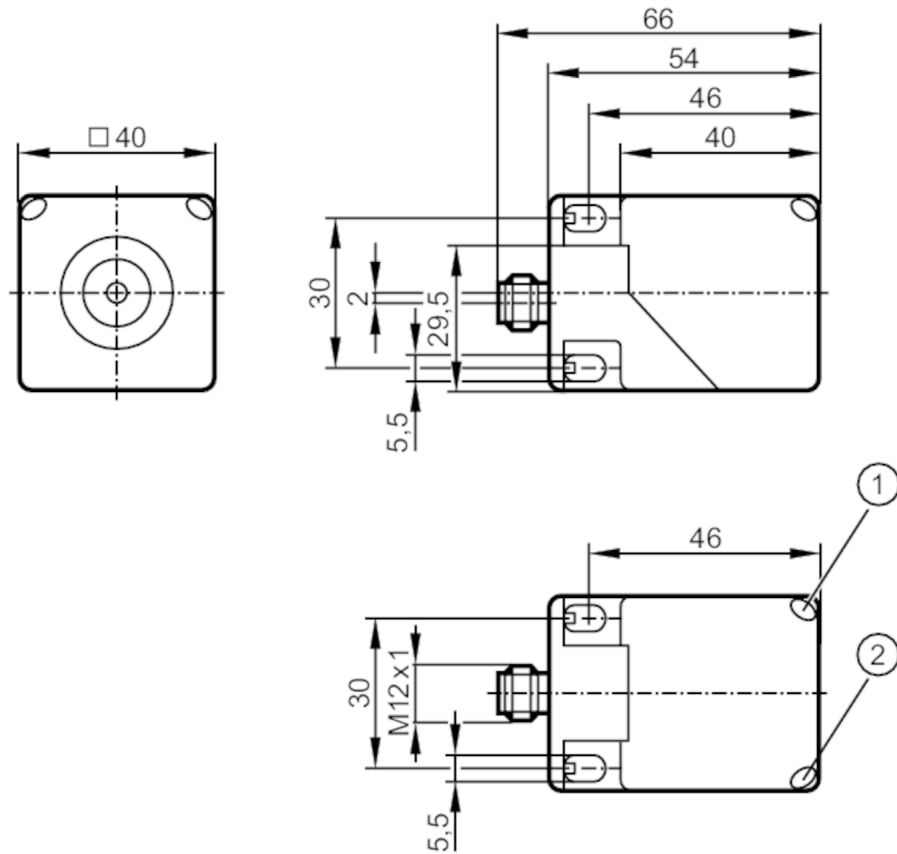


IM5142



Inductive analogue sensor

IMC3026A2PKG/US



- 1 LED yellow
- 2 LED green



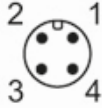
Electrical data	
Operating voltage [V]	15...30 DC; ("supply class 2" to cULus)
Current consumption [mA]	< 20
Protection class	II
Reverse polarity protection	yes
Outputs	
Analogue voltage output [V]	0...10; (linear; gradient: 0,4 V/mm; for frontal approach and for target made of mild steel: 90 x 90 x 1 mm)
Min. load resistance [Ω]	2000
Short-circuit protection	yes
Overload protection	yes
Detection zone	
Measuring range [mm]	1...26
Accuracy / deviations	
Correction factor	steel: 1 / stainless steel: 0.7 / brass: 0.5 / aluminium: 0.4 / copper: 0.3
Linearity error of analogue output [%]	± 3 %; (of UA max)
Repeatability analogue output [%]	± 2 %; (of UA max)

IM5142



Inductive analogue sensor

IMC3026A2PKG/US

Response times		
Response time [ms]	< 20	
Operating conditions		
Ambient temperature [°C]	-25...80	
Protection	IP 67	
Tests / approvals		
MTTF [years]	1024	
UL approval	Ta	-25...70 °C
	Enclosure type	Type 1
	voltage supply	Class 2
	File number UL	E174191
Mechanical data		
Weight [g]	158	
Housing	rectangular	
Sensing face	5 positions selectable	
Mounting	non-flush mountable	
Dimensions [mm]	40 x 40 x 54	
Materials	PA; brass white bronze coated	
Displays / operating elements		
Display	within the operating range	1 x LED, yellow lights
	outside the operating range	1 x LED, yellow flashing
	operation	LED, green
Remarks		
Pack quantity	1 pcs.	
Electrical connection - plug		
Connector: 1 x M12		
		

IM5142



Inductive analogue sensor

IMC3026A2PKG/US

Connection

