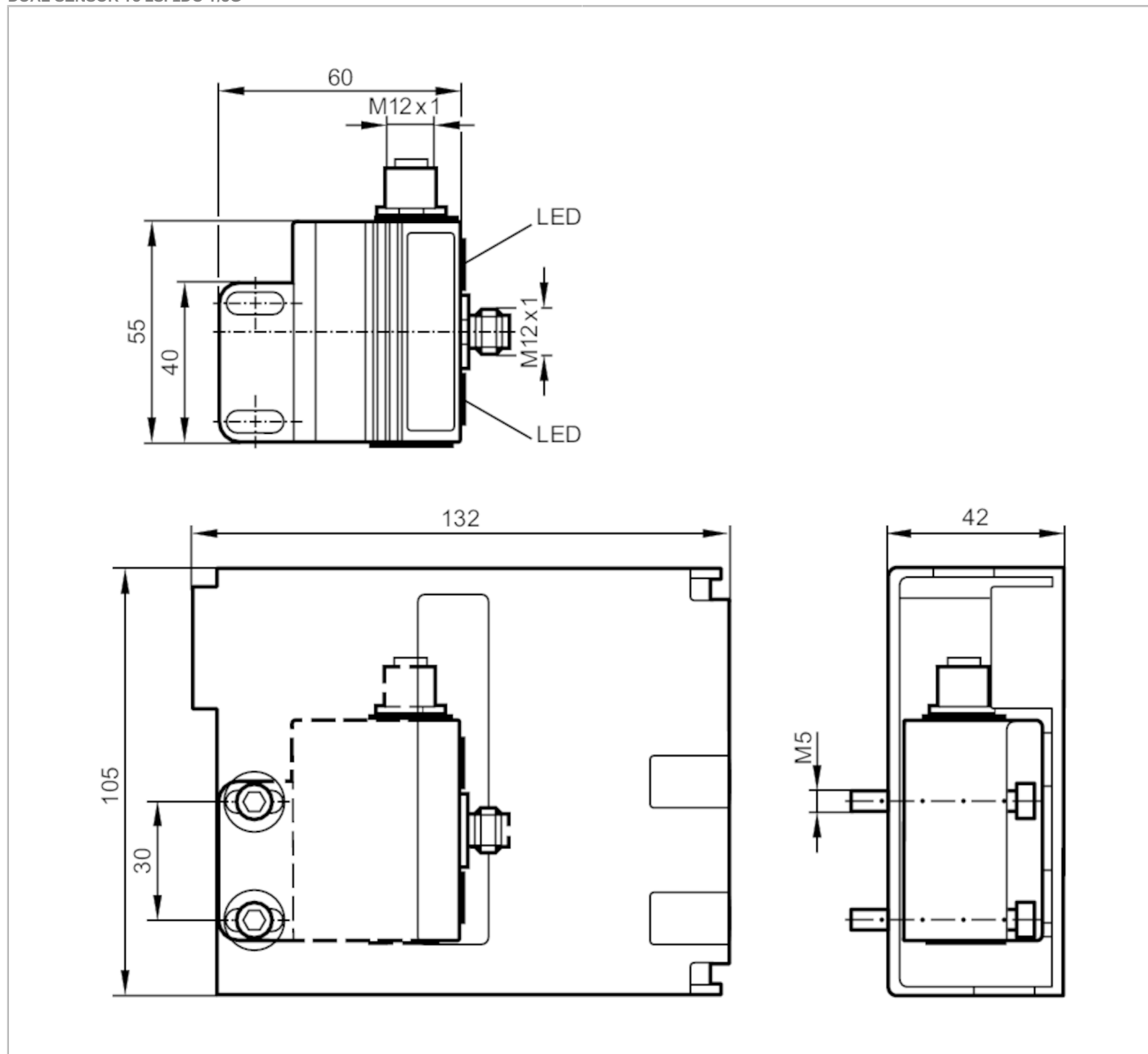


AC326A



AS-Interface dual sensor for pneumatic quarter-turn actuators

DUAL SENSOR T5 2SI 1DO T/3G



Electrical data		
Operating voltage	[V]	26.5...31.6 DC
Current consumption	[mA]	< 160
Protection class		III
Detection zone		
Sensing range	[mm]	4
Operating distance target puck	[mm]	74

AC326A



AS-Interface dual sensor for pneumatic quarter-turn actuators

DUAL SENSOR T5 2SI 1DO T/3G

Operating conditions

Ambient temperature	[°C]	-10...50
Protection		IP 67

Tests / approvals

ATEX marking		II 3G Ex nA IIC T6 Gc X
Note on ATEX marking		only in conjunction with the impact protection housing
EMC		EN 50295
MTTF	[years]	310

AS-i classification

AS-i version		2.1
Extended addressing mode possible		yes
AS-i I/O configuration	[hex]	7
AS-i ID code	[hex]	A.E

Mechanical data

Weight	[g]	770.2
Dimensions	[mm]	55 x 60 x 35
Materials		housing: PBT orange; cover: PC black; plug: stainless steel; socket: stainless steel; Impact protection housing: stainless steel

Displays / operating elements

Display	operation	1 x LED, green
	function	1 x LED, yellow

Accessories

Accessories (supplied)	Impact protection housing
	Mounting plate: 1
	socket head screws: 2 x M5 x 35

Remarks

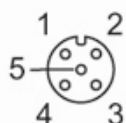
Pack quantity	1 pcs.
---------------	--------

Electrical connection - socket

Ausgänge

- 3 external voltage -
- 4 switching output +
- 1, 2, 5 nicht belegt

Connector: 1 x M12



Connection

AC326A



AS-Interface dual sensor for pneumatic quarter-turn actuators

DUAL SENSOR T5 2SI 1DO T/3G

Electrical connection - plug

Elektrischer Anschluss

1	AS-i+
3	AS-i -

Connector: 1 x M12

