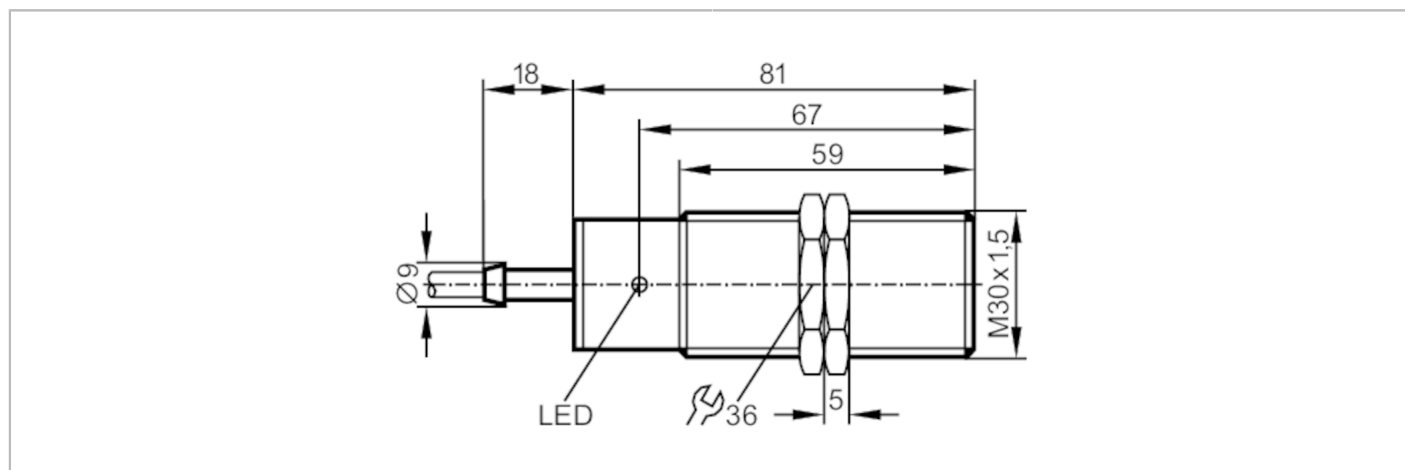


# II0291



## Inductive sensor

II-2015-BBOA



Electrical data	
Operating voltage [V]	20...250 AC/DC
Protection class	II
Reverse polarity protection	no
Outputs	
Output function	normally closed
Max. voltage drop switching output DC [V]	6
Max. voltage drop switching output AC [V]	6.5
Minimum load current [mA]	5
Max. leakage current [mA]	2.5 (250 V AC) / 1.3 (110 V AC) / 0.8 (24 V DC)
Permanent current rating of switching output AC [mA]	250; (350 (...50 °C))
Permanent current rating of switching output DC [mA]	100
Short-time current rating of switching output [mA]	2200; (20 ms / 0,5 Hz)
Switching frequency AC [Hz]	25
Switching frequency DC [Hz]	50
Short-circuit proof	no
Overload protection	no
Detection zone	
Sensing range [mm]	15
Real sensing range Sr [mm]	15 ± 10 %
Operating distance [mm]	0...12.1
Accuracy / deviations	
Correction factor	steel: 1 / stainless steel: 0.7 / brass: 0.4 / aluminium: 0.3 / copper: 0.2
Hysteresis [% of Sr]	1...15
Switch point drift [% of Sr]	-10...10

# II0291



## Inductive sensor

II-2015-BBOA

Operating conditions		
Ambient temperature	[°C]	-25...80
Protection		IP 67
Tests / approvals		
EMC		EN 60947-5-2
		EN 55011
		class B
MTTF	[years]	607
Mechanical data		
Weight	[g]	175.2
Housing		threaded type
Mounting		non-flush mountable
Dimensions	[mm]	M30 x 1.5 / L = 81
Thread designation		M30 x 1.5
Materials		PBT
Displays / operating elements		
Display		switching status
		1 x LED, red
Electrical connection		
Required protection		miniature fuse to IEC60127-2 sheet 1; ≤ 2 A; fast acting
Accessories		
Accessories (supplied)		lock nuts: 2
Remarks		
Remarks		Recommendation: Check the safe functioning of the unit after a short circuit.
Pack quantity		1 pcs.

# II0291



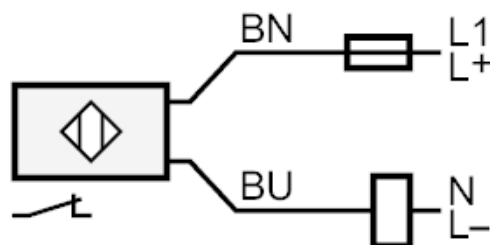
## Inductive sensor

II-2015-BBOA

### Electrical connection

Cable: 2 m, PVC; 2 x 0.5 mm<sup>2</sup>

### Connection



Note miniature fuse to IEC60127-2 sheet 1  $\leq$  2 A fast acting

Core colours :

BN = brown

BU = blue