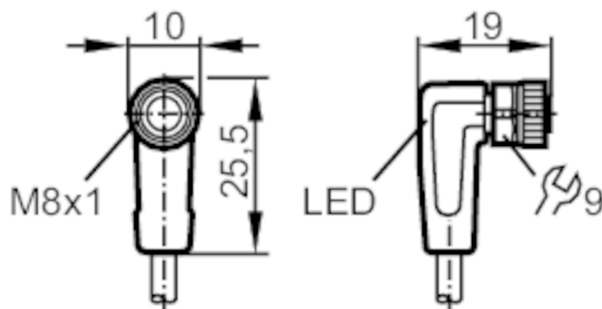


# EVC148



## Connecting cable with socket

ADOAF032MSS0005H03



### Application

Free from silicone yes

### Electrical data

Operating voltage [V] 10...36 DC

Protection class III

Max. current load total [A] 3

### Outputs

Electrical design PNP

### Operating conditions

Ambient temperature [°C] -25...90

Note on ambient temperature cULus: ...80

Ambient temperature (moving) [°C] -25...90

Note on ambient temperature (moving) cULus: ...80

Protection IP 65; IP 67; IP 68; IP 69K

### Tests / approvals

MTTF [years] 31710

# EVC148



## Connecting cable with socket

ADOAF032MSS0005H03

Mechanical data		
Weight [g]	105.4	
Dimensions [mm]	19 x 10 x 25.5	
Materials	housing: TPU black transparent; Sealing: FKM	
Material nut	brass	
Drag chain suitability	bending radius for flexible use	min. 10 x cable diameter
	travel speed	max. 3.3 m/s for a horizontal travel length of 5 m and max. acceleration of 5 m/s <sup>2</sup>
	bending cycles	> 5 Mio.
	torsional strain	± 180 °/m
Drag chain suitability	yes	

Displays / operating elements		
Display	switching status	1 x LED, yellow
	operation	1 x LED, green

Remarks	
Pack quantity	1 pcs.

Electrical connection	
Cable: 5 m, PUR, Halogen-free, black, Ø 3.7 mm; 3 x 0.25 mm <sup>2</sup> (32 x Ø 0.1 mm )	

Electrical connection - socket	
Connector: 1 x M8, angled; Locking: brass, nickel-plated; Contacts: gold-plated; Tightening torque: 0.3...0.5 Nm	



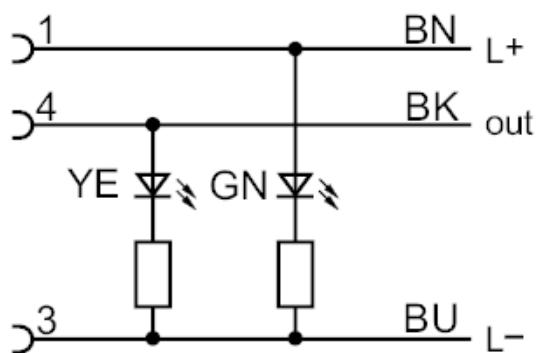
# EVC148



## Connecting cable with socket

ADOAF032MSS0005H03

### Connection



Core colours :

BK = black  
BN = brown  
BU = blue