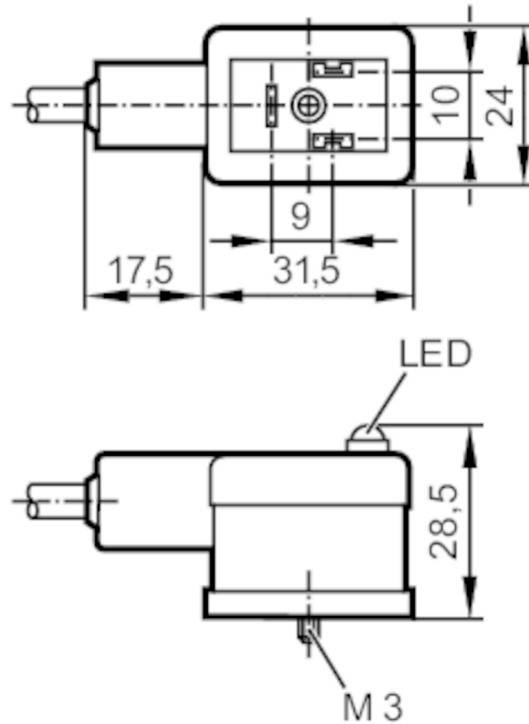


# E11992



## Jumper cable with valve plug

AVDAB031PLS0010H03



Application		
Free from silicone		yes
Electrical data		
Operating voltage [V]		< 24 AC/DC
Overvoltage protection		yes; (VDR)
Operating conditions		
Ambient temperature [°C]		-20...80
Protection		IP 67
Mechanical data		
Weight [g]		456.6
Dimensions [mm]		28.5 x 24 x 49
Materials		PP; FKM
Material nut		brass
Displays / operating elements		
Display	switching status	1 x LED, yellow
Remarks		
Pack quantity		1 pcs.
Electrical connection		
Cable: 10 m, PUR, Halogen-free, Ø 6.6 mm; 3 x 0.5 mm <sup>2</sup> / AWG 20		
Electrical connection - socket		
Connector: 1 x valve type B DIN, angled; Moulded body: PP / FPM; Locking: brass, nickel-plated		

# E11992

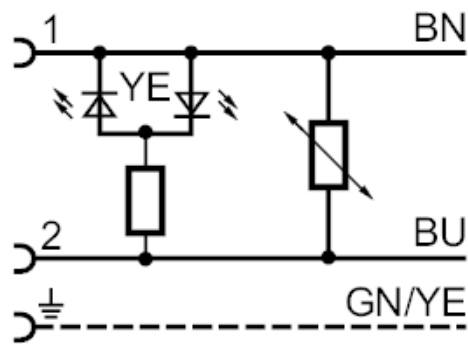


## Jumper cable with valve plug

AVDAB031PLS0010H03



### Connection



Core colours :

BN =

brown

BU =

blue

GN/YE =

green/yellow