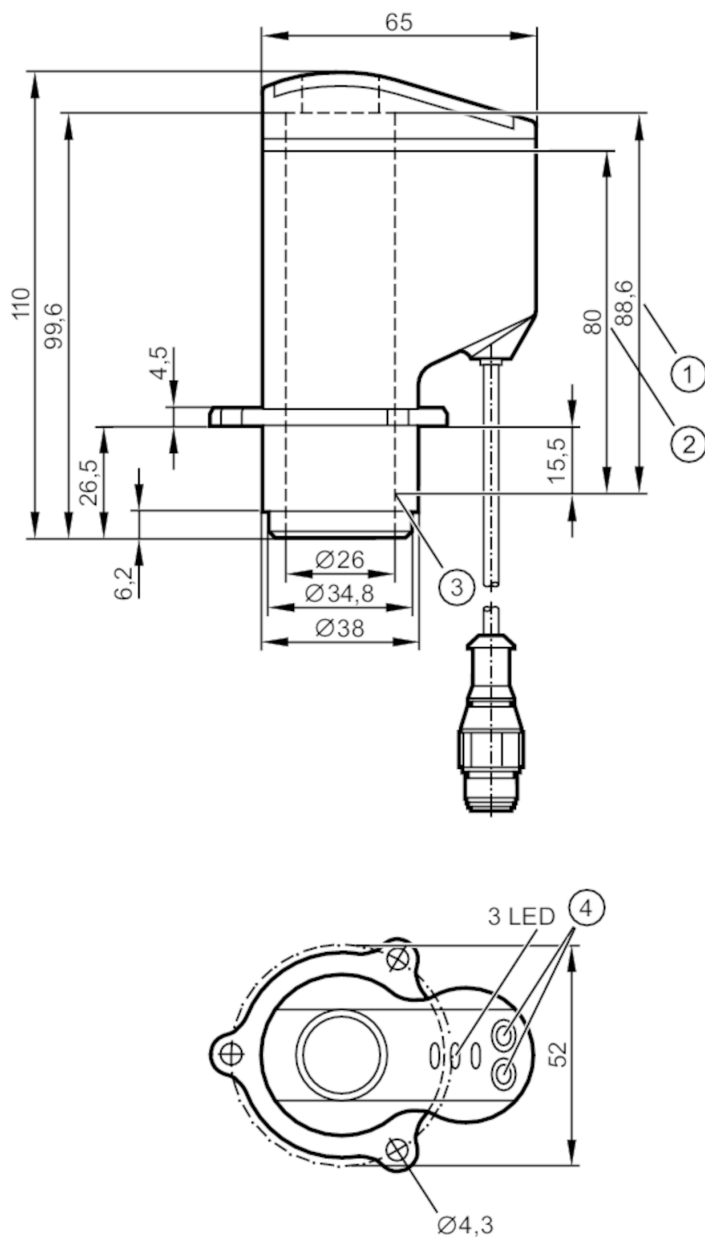


# IX5030



## Position sensor for rising stem valves

IX-2080-AS-i/0,15M/US



- 1 max. spindle stroke
- 2 measuring distance
- 3 initial value of the measuring range zero point
- 4 programming buttons



### Application

Application

position feedback for linear single and double seat valves;  
absolute distance measurement; monitoring of the valve seal

# IX5030



## Position sensor for rising stem valves

IX-2080-AS-i/0,15M/US

Electrical data						
Operating voltage	[V]	26.5...31.6 DC				
Current consumption	[mA]	< 50				
Protection class		III				
Reverse polarity protection		yes				
Max. power-on delay time	[ms]	2000				
Outputs						
Electrical design		AS-i				
Detection zone						
Measuring range	[mm]	0...80				
max. Targetgeschwindigkeit	[m/s]	1				
Resolution of valve stroke	[mm]	0.2				
Target			cylindrical disc			
	-		Ø 24 mm ±0,05 mm			
	-		minimum height 10 mm			
	-		flat surface			
	-		stainless steel to DIN17440, material number 316S12.			
Software / programming						
Parameter setting options		3 switch points to be freely defined within the measuring range				
Operating conditions						
Ambient temperature	[°C]	-25...70				
Protection		IP 65; IP 67; (only in conjunction with an installation in the valve head that provides sufficient protection against mechanical damage of the sensor)				
Tests / approvals						
MTTF	[years]	281				
AS-i classification						
AS-i version		3.0				
Extended addressing mode possible		yes				
AS-i I/O configuration	[hex]	0				
AS-i ID code	[hex]	A.F				
AS-i certificate pending		yes				
Assignment of the data bits		Designation	close	seat	open	not used
	status = 0		plunger outside the 'close' zone	plunger outside the 'seat' zone	plunger outside the 'open' zone	default value
	status = 1		plunger inside the 'close' zone	plunger inside the 'seat' zone	plunger inside the 'open' zone	-
Mechanical data						
Weight	[g]	226.6				
Type of mounting		3-hole flange				
Dimensions	[mm]	65 x 52 x 110				
Materials		PA; TPE; PP; LCP				

# IX5030



## Position sensor for rising stem valves

IX-2080-AS-i/0,15M/US

### Displays / operating elements

Display	switching status	1 x LED, green open
	switching status	1 x LED, yellow seat
	switching status	1 x LED, red close
	operation	1 x LED, green AS-i voltage
	error	1 x LED, red

### Electrical connection

Connection	plug
------------	------

### Accessories

Accessories (supplied)	screws: 3
------------------------	-----------

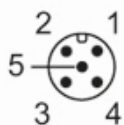
### Remarks

Pack quantity	1 pcs.
---------------	--------

### Electrical connection - plug

Cable: 0.15 m, PVC; 2 x 0.14 mm<sup>2</sup>

Connector: 1 x M12



### Connection

