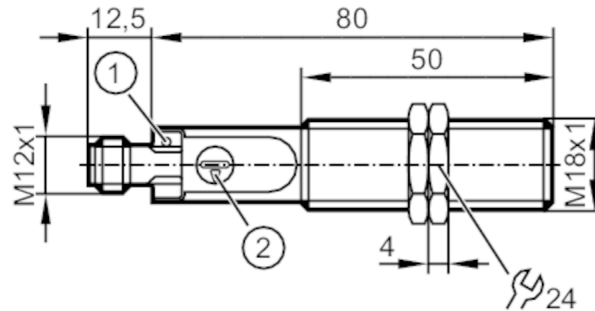


# KG5306



## Capacitive sensor

KG-3150NANKG/SL/1P/US/IO



- 1 LED yellow switching status  
2 potentiometer Sensing range



### Application

Medium temperature [°C] -25...110

### Electrical data

Operating voltage [V] 10...30 DC  
Current consumption [mA] < 22  
Protection class III  
Reverse polarity protection yes

### Outputs

Electrical design NPN  
Output function normally open  
Max. voltage drop switching output DC [V] 2.5  
Permanent current rating of switching output DC [mA] 200  
Switching frequency DC [Hz] 30  
Short-circuit proof yes  
Overload protection yes

### Detection zone

Sensing range [mm] 0.5...30  
Sensing range adjustable yes  
Factory setting sensing range [mm] 15  
Real sensing range  $S_r$  [mm]  $15 \pm 10 \%$

### Accuracy / deviations

Hysteresis [% of  $S_r$ ] 1...15  
Switch point drift [% of  $S_r$ ] -15...15

# KG5306



## Capacitive sensor

KG-3150NANKG/SL/1P/US/IO

Interfaces		
Communication interface	IO-Link	
Transmission type	COM2 (38,4 kBaud)	
IO-Link revision	1.1	
SDCI standard	IEC 61131-9	
Profiles	Smart Sensor: Process Data Variable; Device Identification	
SIO mode	yes	
Required master port type	A	
Min. process cycle time [ms]	20	
Operating conditions		
Ambient temperature [°C]	-25...80	
Protection	IP 65; IP 67; IP 69K	
Tests / approvals		
EMC	EN 61000-4-2	8 kV AD / 4 kV CD
	EN 61000-4-3	10 V/m
	EN 61000-4-4	2 kV
	EN 61000-4-6	10 V
	EN 55011	class B
Vibration resistance	DIN EN 60947-5-2	1 mm amplitude, oscillation period 5 min., 30 min. per axis at resonance or 55 Hz
Shock resistance	DIN EN 60947-5-2	30 g 6 shocks / 11 ms half-sine (x, y, z)
MTTF [years]	1204	
UL approval	UL Approval no.	D003
Mechanical data		
Weight [g]	25.8	
Housing	threaded type	
Mounting	non-flush mountable	
Dimensions [mm]	M18 x 1 / L = 92.5	
Thread designation	M18 x 1	
Materials	PBT; PC; POM	
Tightening torque [Nm]	8	
Displays / operating elements		
Display	switching status	1 x LED, yellow
Accessories		
Accessories (supplied)	lock nuts: 2	
Remarks		
Pack quantity	1 pcs.	
Electrical connection - plug		
Connector: 1 x M12		

# KG5306

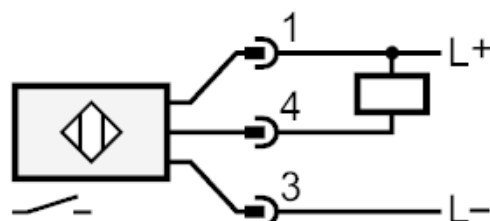


## Capacitive sensor

KG-3150NANKG/SL/1P/US/IO



### Connection



4: OUT / IO-Link