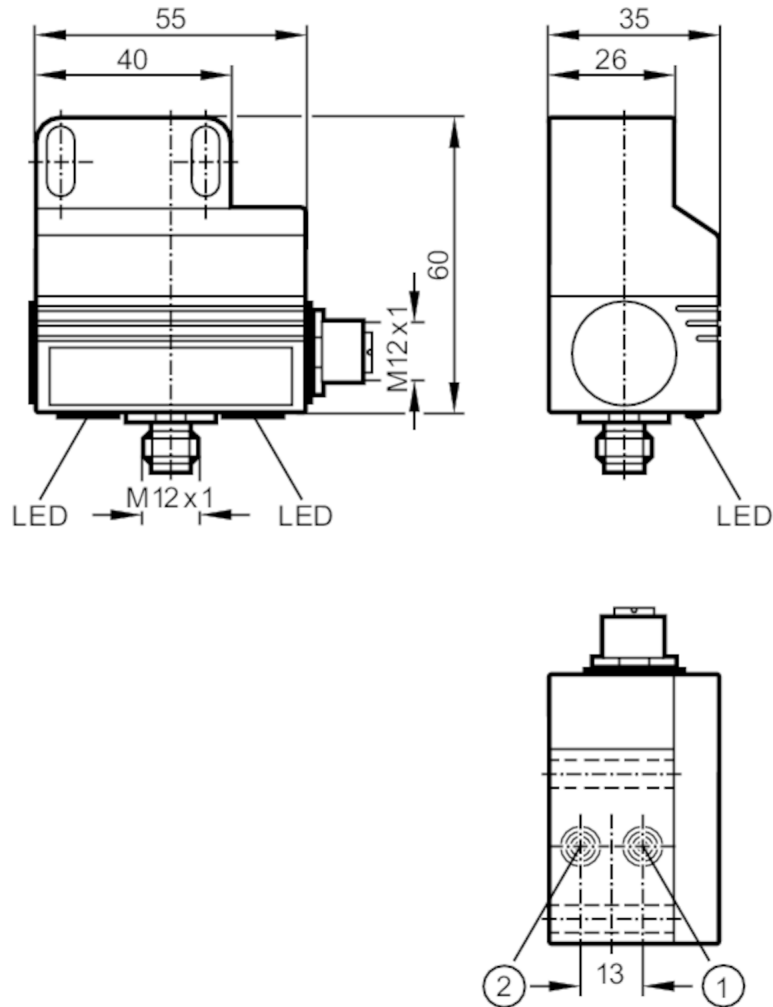


# AC2310



## AS-Interface dual sensor for pneumatic quarter-turn actuators

DUAL SENSOR T5 2SI 1DO T M12



- 1 sensor 1
- 2 sensor 2



Electrical data	
Operating voltage	[V] 26.5...31.6 DC; ("supply class 2" to cULus)
Current consumption	[mA] < 160
Outputs	
Electrical design	AS-i
Permanent current rating of switching output DC	[mA] 100
Short-circuit proof	yes
Detection zone	
Sensing range	[mm] 4
Operating conditions	
Ambient temperature	[°C] -20...70
Protection	IP 67

# AC2310



## AS-Interface dual sensor for pneumatic quarter-turn actuators

DUAL SENSOR T5 2SI 1DO T M12

### Tests / approvals

EMC	EN 50295	
	EN 61000-6-2	
MTTF [years]		394

### AS-i classification

AS-i version		2.1
Extended addressing mode possible		no
AS-i I/O configuration [hex]		7
AS-i ID code [hex]		F.F
AS-i certificate		75003

### Mechanical data

Weight [g]		173.6
Mounting		non-flush mountable
Dimensions [mm]		55 x 60 x 35
Materials		PBT; PC; connector housing: stainless steel (1.4305 / 303)

### Displays / operating elements

Display	operation	1 x LED, green
	function	1 x LED, yellow
	error	LED, red

### Accessories

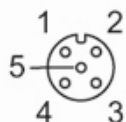
Accessories (supplied)	Reinforcement bracket
	socket head screws: 2 x M5 x 35
	washers: 2

### Remarks

Pack quantity	1 pcs.
---------------	--------

### Electrical connection - socket

Connector: 1 x M12



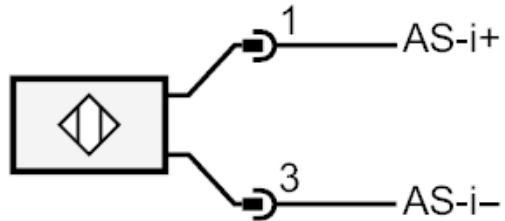
# AC2310



## AS-Interface dual sensor for pneumatic quarter-turn actuators

DUAL SENSOR T5 2SI 1DO T M12

### Connection



- 3 Externe\_Spannung
- 4 switching output 1+

### Electrical connection - plug

Connector: 1 x M12

