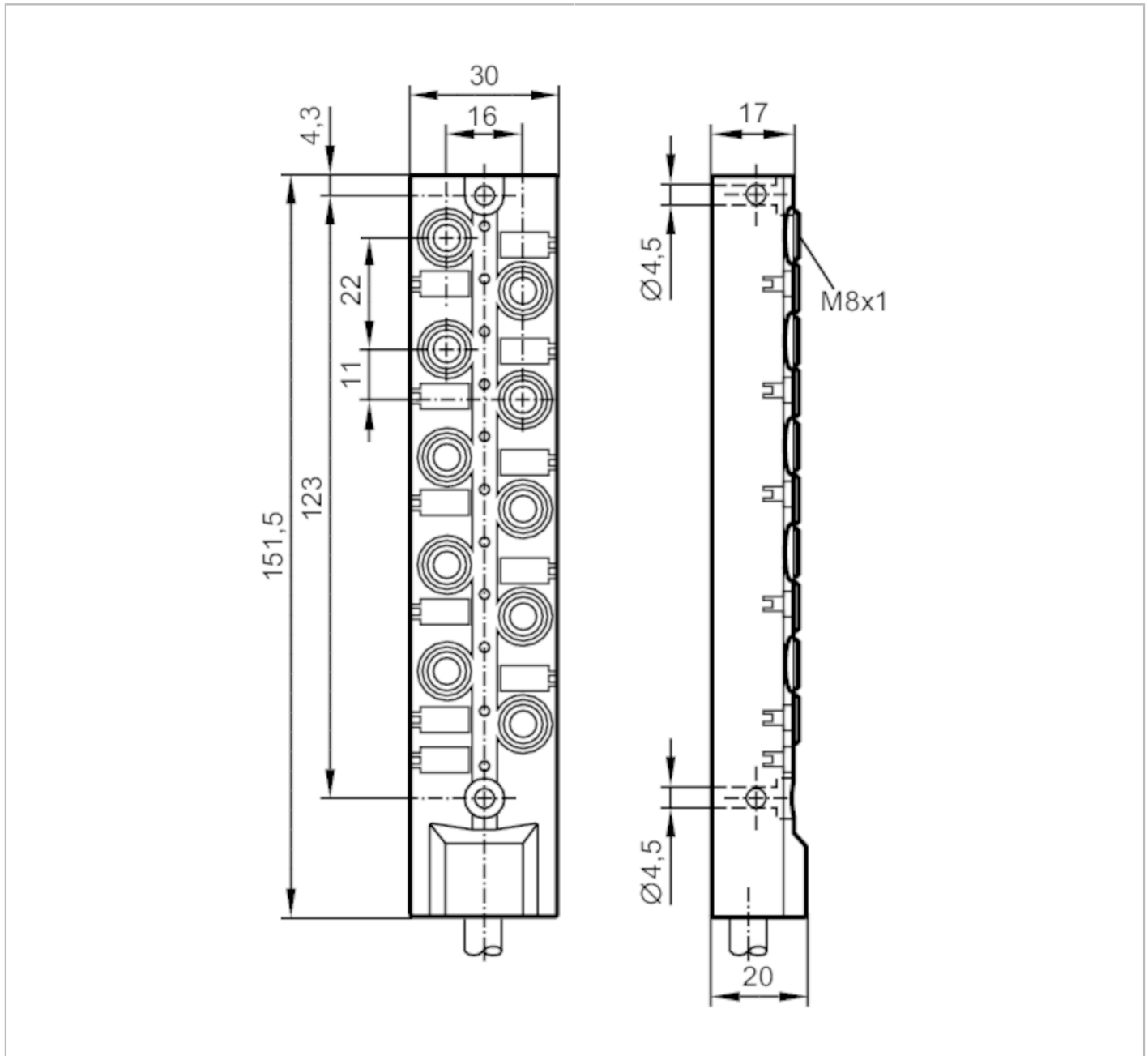


# EBC136



## Splitter box

ZDOAF03BMSS0005H12



### Electrical data

Operating voltage	[V]	10...30 DC; ("supply class 2" to cULus)
Protection class		III
Max. current load per module/slot	[A]	2
Max. current load total	[A]	6

### Outputs

Electrical design	PNP
-------------------	-----

### Operating conditions

Ambient temperature	[°C]	-25...80
Ambient temperature (moving)	[°C]	-5...60
Protection		IP 65; IP 67; IP 68



## Splitter box

ZDOAF03BMSS0005H12

Mechanical data		
Weight [g]	573	
Materials	PBT-GF20; brass nickel-plated	
Number of ports splitter box	10	
Connector type	M8	
Drag chain suitability	bending radius for flexible use	min. 10 x cable diameter
	travel speed	max. 3.3 m/s for a horizontal travel length of 5 m and max. acceleration of 5 m/s <sup>2</sup>
	bending cycles	> 5 Mio.
	torsional strain	± 180 °/m
Drag chain suitability	yes	

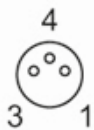
Displays / operating elements		
Display	switching status	10 x LED, yellow
	operation	1 x LED, green

Accessories	
Accessories (optional)	Protective caps, for M8 sockets, E73005

Remarks	
Pack quantity	1 pcs.

Electrical connection	
Cable: 5 m, PUR, Halogen-free, black, Ø 9.1 mm; 10 x 0.34 mm <sup>2</sup> (43 x Ø 0.1 mm ) + 2 x 0.75 mm <sup>2</sup> (21 x Ø 0.2 mm )	

Electrical connection - socket	
Connector: 1 x M8; Moulded body: PBT-GF 20 / brass, nickel-plated; Contacts: gold-plated	



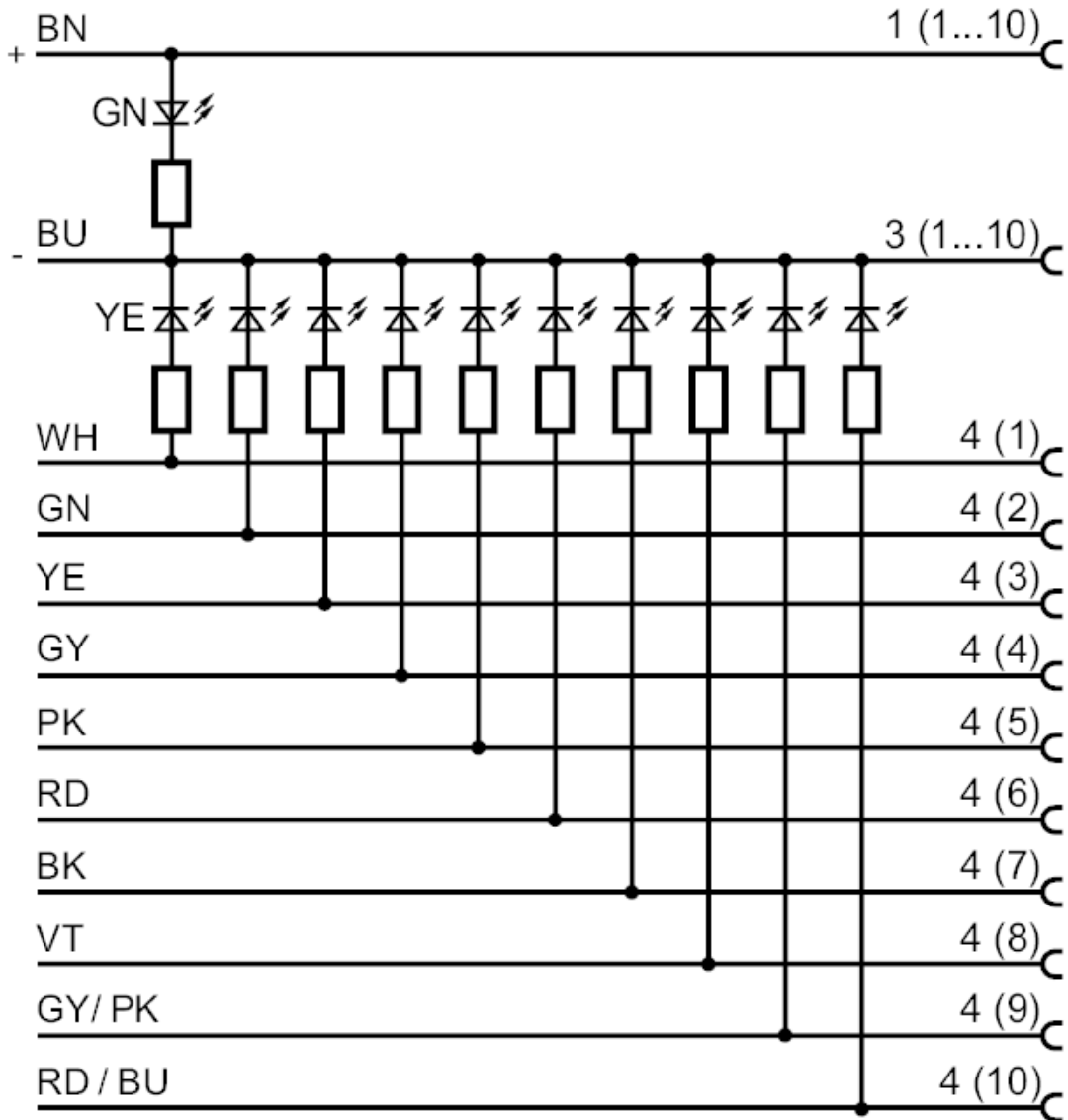
# EBC136



## Splitter box

ZDOAF03BMSS0005H12

### Connection



Core colours :

BK =	black
BN =	brown
BU =	blue
GN =	green
GY =	grey
PK =	pink
RD =	red
VT =	lilac
WH =	white
YE =	yellow

# EBC136

## Splitter box

ZDOAF03BMSS0005H12

