

PN7271



Pressure sensor with display

PN-250-SEN14-QFRKG/US/ IV



- 1 alphanumeric display 4-digit red/green
- 2 LEDs Display unit / switching status
- 3 programming button
- 4 upper part of the housing can be rotated 345°



Application

Measuring element	metallic thin film cell		
Application	for industrial applications		
Media	liquids and gases		
Medium temperature [°C]	-25...80		
Pressure rating	7250 psi	500 bar	50 MPa
Min. bursting pressure	15950 psi	1100 bar	110 MPa
Type of pressure	relative pressure		
MAWP (for applications according to CRN)	7250 psi	500 bar	50 MPa

Electrical data

Operating voltage [V]	18...30 DC; (according to EN 50178 SELV/PELV)		
Current consumption [mA]	< 35		
Min. insulation resistance [MΩ]	100; (500 V DC)		
Protection class	III		
Reverse polarity protection	yes		
Power-on delay time [s]	0.3		
Integrated watchdog	yes		

Inputs / outputs

Number of inputs and outputs	Number of digital outputs: 2
------------------------------	------------------------------

PN7271



Pressure sensor with display

PN-250-SEN14-QFRKG/US/ IV

Outputs			
Total number of outputs		2	
Output signal		switching signal; IO-Link; (configurable)	
Electrical design		PNP/NPN	
Number of digital outputs		2	
Output function		normally open / normally closed; (parameterisable)	
Max. voltage drop switching output DC	[V]	2.5	
Permanent current rating of switching output DC	[mA]	150; (200 (...60 °C) 250 (...40 °C))	
Switching frequency DC	[Hz]	< 170	
Short-circuit protection		yes	
Type of short-circuit protection		pulsed	
Overload protection		yes	
Measuring/setting range			
Measuring range		0...3620 psi	0...250 bar 0...25 MPa
Set point SP		40...3620 psi	2...250 bar 0.2...25 MPa
Reset point rP		20...3600 psi	1...249 bar 0.1...24.9 MPa
In steps of		20 psi	1 bar 0.1 MPa
Accuracy / deviations			
Switch point accuracy	[% of the span]	< ± 0,5	
Repeatability	[% of the span]	< ± 0,1; (with temperature fluctuations < 10 K)	
Characteristics deviation	[% of the span]	< ± 0,25 (BFSL) / < ± 0,5 (LS); (BFSL = Best Fit Straight Line; LS = limit value setting)	
Hysteresis deviation	[% of the span]	< ± 0,25	
Long-term stability	[% of the span]	< ± 0,05; (per 6 months)	
Temperature coefficient zero point	[% of the span / 10 K]	0,2; (-25...80 °C)	
Temperature coefficient span	[% of the span / 10 K]	0,2; (-25...80 °C)	
Response times			
Response time	[ms]	< 3	
Delay time programmable dS, dr	[s]	0...50	
Software / programming			
Parameter setting options		hysteresis / window; normally open / normally closed; switching logic; switch-on/switch-off delay; Damping; Display unit	

PN7271



Pressure sensor with display

PN-250-SEN14-QFRKG/US/ IV

Interfaces		
Communication interface	IO-Link	
Transmission type	COM2 (38,4 kBaud)	
IO-Link revision	1.1	
SDCI standard	IEC 61131-9	
IO-Link device ID	400 d / 00 01 90 h	
Profiles	Smart Sensor: Process Data Variable; Device Identification, Device Diagnosis	
SIO mode	yes	
Required master port type	A	
Process data analogue	1	
Process data binary	2	
Min. process cycle time [ms]	2.3	
Operating conditions		
Ambient temperature [°C]	-25...80	
Storage temperature [°C]	-40...100	
Protection	IP 65; IP 67	
Tests / approvals		
EMC	DIN EN 61000-6-2	
	DIN EN 61000-6-3	
Shock resistance	DIN EN 60068-2-27	50 g (11 ms)
Vibration resistance	DIN EN 60068-2-6	20 g (10...2000 Hz)
MTTF [years]	201.44	
UL approval	UL Approval no.	J003
Pressure Equipment Directive	Sound Engineering Practice; can be used for group 2 fluids; group 1 fluids on request	
Mechanical data		
Weight [g]	217	
Materials	1.4542 (17-4 PH / 630); stainless steel (1.4404 / 316L); PBT+PC-GF30; PBT-GF20; PC	
Materials (wetted parts)	1.4542 (17-4 PH / 630)	
Min. pressure cycles	100 million	
Tightening torque [Nm]	2...3 turns after hand-fastening; recommended tightening torque; depends on lubrication, seal and pressure rating	
Process connection	threaded connection 1/4 NPT internal thread	
Displays / operating elements		
Display	Display unit	3 x LED, green (bar, psi, MPa)
	switching status	2 x LED, yellow
	measured values	alphanumeric display, red/green 4-digit
Remarks		
Pack quantity	1 pcs.	
Electrical connection		
Connector: 1 x M12; Contacts: gold-plated		

PN7271

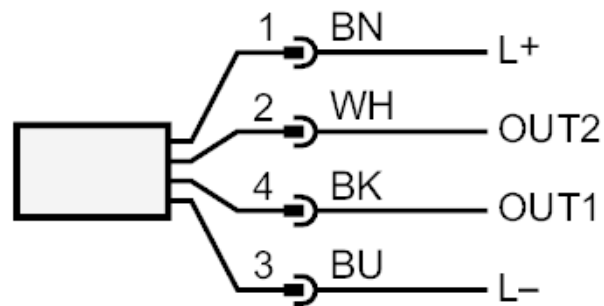


Pressure sensor with display

PN-250-SEN14-QFRKG/US/ IV



Connection



OUT1 switching output

IO-Link

OUT2 switching output

colours to DIN EN 60947-5-2

Core colours :

BK = black

BN = brown

BU = blue

WH = white