

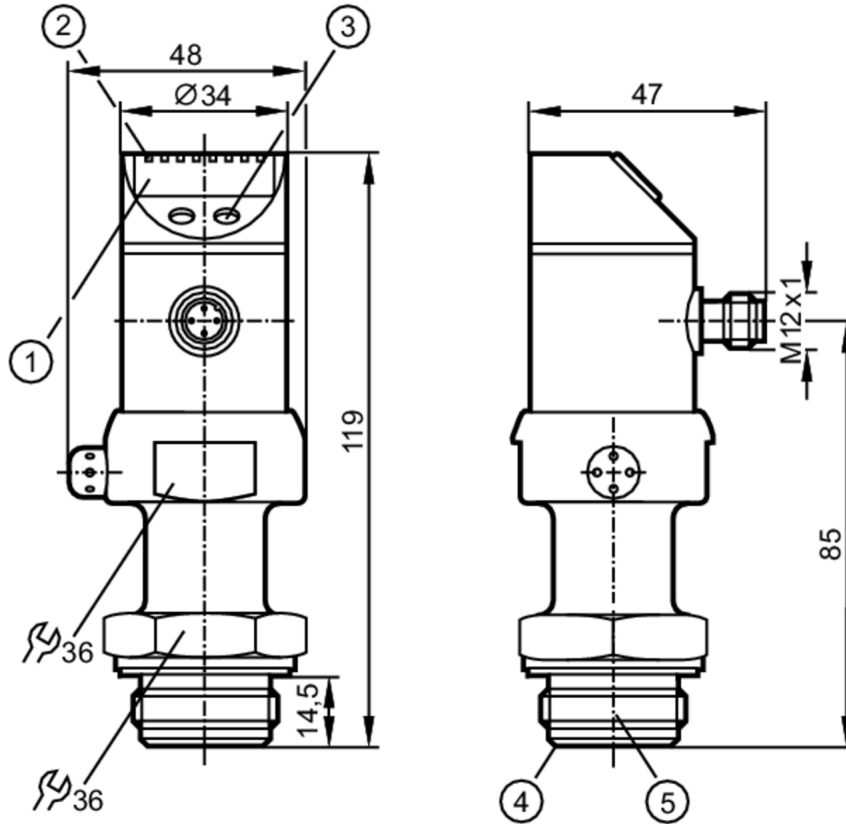
PI7093



Flush pressure sensor with display

PI-025-RES30-QFRKG/US/ IP

Status Archive



- 1 alphanumeric display 4-digit
- 2 status LEDs
- 3 programming button
- 4 Aseptoflex sealing edge
- 5 Aseptoflex thread



Application

Application	hygienic systems		
Installation	freely rotatable housing 350°		
Media	viscous media and liquids with suspended particles; liquids and gases		
Medium temperature [°C]	-25...125; (145 max. 1h)		
Pressure rating	100 bar	1450 psi	10 MPa
Min. bursting pressure	350 bar	5070 psi	35 MPa
Type of pressure	relative pressure		
No dead space	yes		

PI7093



Flush pressure sensor with display

PI-025-RES30-QFRKG/US/ IP

Electrical data			
Operating voltage	[V]	18...32 DC	
Current consumption	[mA]	< 50	
Min. insulation resistance	[MΩ]	100; (500 V DC)	
Protection class		III	
Reverse polarity protection		yes	
Power-on delay time	[s]	0.5	
Integrated watchdog		yes	
Inputs / outputs			
Number of inputs and outputs		Number of digital outputs: 2	
Outputs			
Total number of outputs		2	
Output signal		switching signal	
Electrical design		PNP/NPN	
Number of digital outputs		2	
Output function		normally open / normally closed; (parameterisable)	
Max. voltage drop switching output DC	[V]	2	
Permanent current rating of switching output DC	[mA]	250	
Switching frequency DC	[Hz]	85	
Short-circuit protection		yes	
Type of short-circuit protection		pulsed	
Overload protection		yes	
Measuring/setting range			
Measuring range		-1...25 bar	-14.4...362.7 psi
			-0.1...2.5 MPa
Set point SP		-0.96...25 bar	-13.8...362.7 psi
			-0.096...2.5 MPa
Reset point rP		-1...24.96 bar	-14.4...362.1 psi
			-0.1...2.496 MPa
In steps of		0.02 bar	0.3 psi
			0.002 MPa
Factory setting			SP1 = 6.24 bar
			rP1 = 5.74 bar
			SP2 = 18.74 bar
			rP2 = 18.30 bar
Accuracy / deviations			
Switch point accuracy		< ± 0,2; (Turn down 1:1)	
	[% of the span]		
Repeatability		< ± 0,1; (with temperature fluctuations < 10 K; Turn down 1:1)	
	[% of the span]		
Characteristics deviation		< ± 0,2; (Turn down 1:1 linearity, incl. hysteresis and repeatability limit value setting to DIN 16086)	
	[% of the span]		
Linearity deviation		< ± 0,15; (Turn down 1:1)	
	[% of the span]		
Hysteresis deviation		< ± 0,15; (Turn down 1:1)	
	[% of the span]		
Long-term stability		< ± 0,1; (Turn down 1:1; per year)	
	[% of the span]		
Temperature coefficient zero point		< ± 0,05; (0...70 °C)	

PI7093



Flush pressure sensor with display

PI-025-RES30-QFRKG/US/ IP

[% of the span / 10 K]	
Temperature coefficient span [% of the span / 10 K]	< ± 0,15; (0...70 °C)

Response times

Response time [ms]	< 6
Damping for the switching output dAP [s]	0...100

Software / programming

Parameter setting options	hysteresis / window; normally open / normally closed; switching logic; Damping; adaptation of displayed values; display can be rotated and switched off; Display unit; zero point; span
---------------------------	---

Operating conditions

Ambient temperature [°C]	-25...80
Storage temperature [°C]	-40...100
Protection	IP 67; IP 69K

Tests / approvals

EMC	EN 61000-4-2 ESD	4 kV CD / 8 kV AD
	EN 61000-4-3 HF radiated	10 V/m
	EN 61000-4-4 Burst	2 kV
	EN 61000-4-5 Surge	0,5/1 kV
	EN 61000-4-6 HF conducted	10 V
Shock resistance	DIN IEC 68-2-27	50 g (11 ms)
Vibration resistance	DIN IEC 68-2-6	20 g (10...2000 Hz)
MTTF [years]		178

Mechanical data

Weight [g]	400.8
Materials	stainless steel (1.4404 / 316L); PC; PBT; PEI; FKM; PTFE
Materials (wetted parts)	ceramics (99.9 % Al ₂ O ₃); PTFE; stainless steel (1.4435 / 316L); surface characteristics: Ra < 0,4 / Rz 4
Min. pressure cycles	100 million
Process connection	threaded connection Aseptoflex external thread Aseptoflex

Displays / operating elements

Display	Display unit	4 x LED, green
	switching status	2 x LED, yellow
	measured values	alphanumeric display, 4-digit
	parameter setting	alphanumeric display, 4-digit
Display unit	bar; psi; MPa; % of the span	

Remarks

Remarks	The 3-A qualification is only valid if adapters with 3-A qualification are used for installation.
Notes	discontinued article
Pack quantity	1 pcs.

Electrical connection

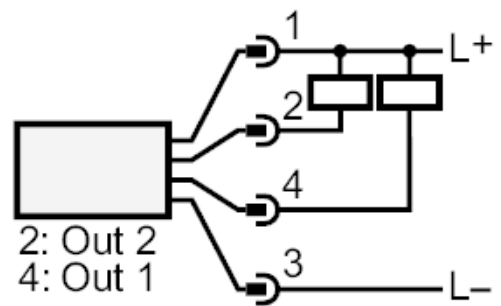
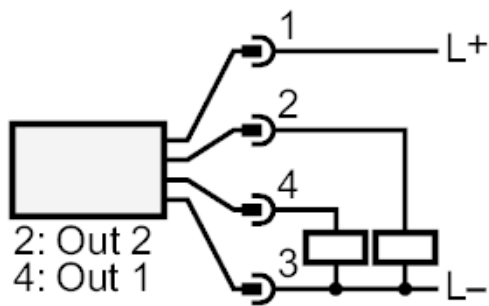
Connector: 1 x M12; Contacts: gold-plated

PI7093



Flush pressure sensor with display

PI-025-RES30-QFRKG/US/ IP



OUT1	switching output
	Diagnostic output
OUT2	switching output

Status Archive