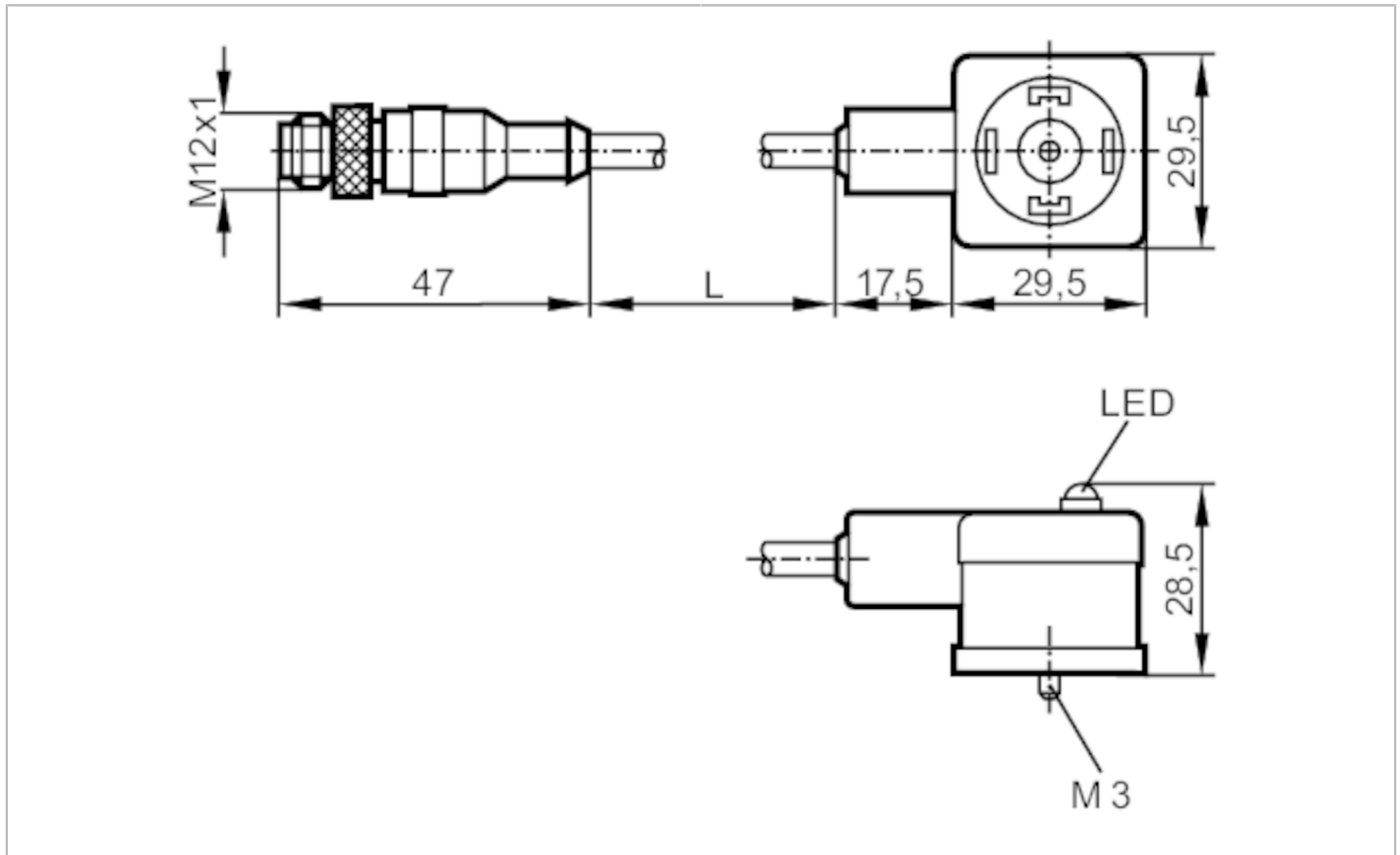


E11963



Connection cable

VVDAA040MSS0003B03STGH030MSS



Application		
Free from silicone	yes	
Electrical data		
Operating voltage [V]	< 24 AC/DC	
Overvoltage protection	free-wheeling diode	
Operating conditions		
Ambient temperature [°C]	-25...90	
Protection	IP 67	
Mechanical data		
Weight [g]	184.4	
Materials	TPU	
Material nut	brass / brass	
Displays / operating elements		
Display	operation	1 x LED, green
Accessories		
Accessories (supplied)	screw	panel for labelling
Remarks		
Pack quantity	1 pcs.	

E11963



Connection cable

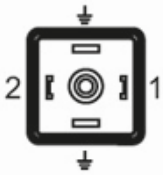
VVDAA040MSS0003B03STGH030MSS

Electrical connection

Cable: 3 m, PUR / PVC, Halogen-free; 3 x 0.5 mm² (42 x Ø 0.1 mm)

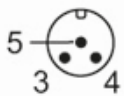
Electrical connection - socket

Connector: 1 x valve type A DIN, angled; Moulded body: TPU; Locking: brass, nickel-plated; Contacts: nickel-plated brass



Electrical connection - plug

Connector: 1 x M12, straight; Moulded body: TPU; Locking: brass, nickel-plated; Contacts: gold-plated



Connection

