

# KT5105

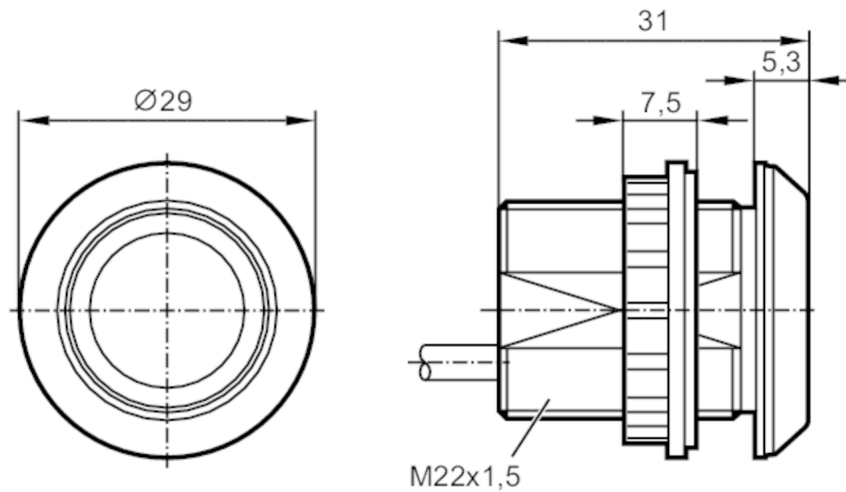


## Capacitive illuminated pushbutton

KTMSF-K-RBPKG/0,3M

Status Archive

/KT5110



### Application

Operating principle static

### Electrical data

Operating voltage [V]	12...30 DC
Current consumption [mA]	30
Protection class	III
Reverse polarity protection	yes
Max. power-on delay time [ms]	500

### Outputs

Electrical design	PNP
Output function	normally open
Permanent current rating of switching output DC [mA]	200
Short-circuit protection	yes
Overload protection	yes

### Response times

Response time [ms]	35
--------------------	----

### Operating conditions

Ambient temperature [°C]	-40...85
Protection	IP 65; IP 67; IP 69K; (on the front)

### Tests / approvals

MTTF [years]	352
--------------	-----

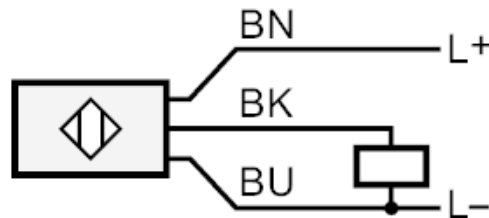
# KT5105



## Capacitive illuminated pushbutton

KTMSF-K-RBPKG/0,3M

Mechanical data		
Weight	[g]	41.8
Dimensions	[mm]	Ø 29 / L = 31
Materials		PA 6.6-GF30 black; active face: PA Grilamid TR 90UV
Displays / operating elements		
Display	switching status	1 x LED, red
	operation	1 x LED, green
Accessories		
Accessories (supplied)		lock nuts: 1
		Gasket: 1
Accessories (optional)		symbol disc
Remarks		
Pack quantity		1 pcs.
Electrical connection		
Cable: 0.3 m, PUR		
Connection		



Core colours :

BK = black  
BN = brown  
BU = blue

Status Archive

/KT5110