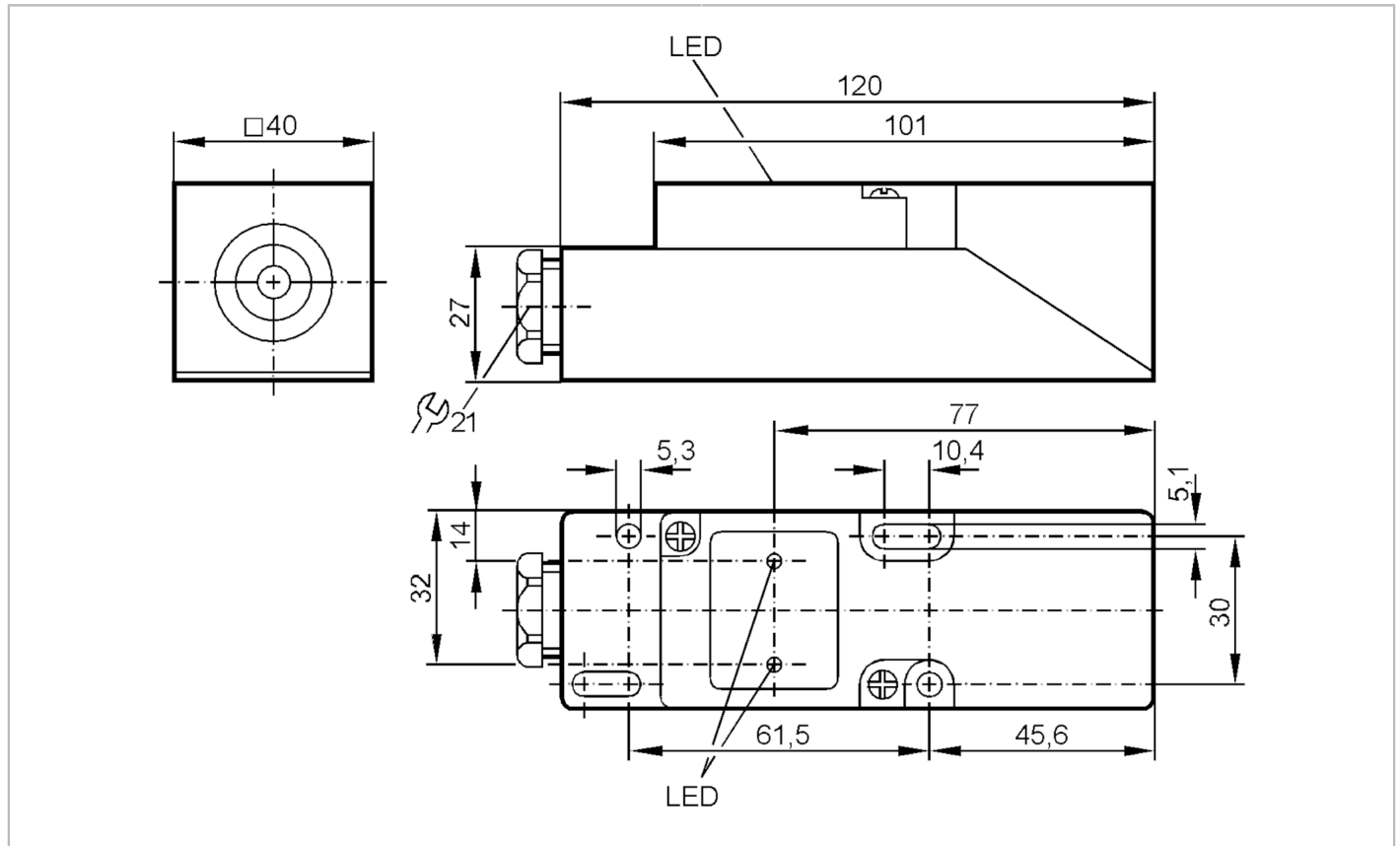


IM5041



Inductive sensor

IME3015BFPKG/2LED/OVERP



Electrical data		
Operating voltage	[V]	10...36 DC
Current consumption	[mA]	15; (24 V)
Protection class		II
Reverse polarity protection		yes
Outputs		
Electrical design		PNP
Output function		normally open / normally closed; (selectable)
Max. voltage drop switching output DC	[V]	2.5
Permanent current rating of switching output DC	[mA]	250
Switching frequency DC	[Hz]	350
Short-circuit protection		yes
Type of short-circuit protection		pulsed
Overload protection		yes
Detection zone		
Sensing range	[mm]	15
Real sensing range Sr	[mm]	15 ± 10 %
Operating distance	[mm]	0...12.1

IM5041



Inductive sensor

IME3015BFPKG/2LED/OVERP

Accuracy / deviations		
Correction factor	steel: 1 / stainless steel: 0.7 / brass: 0.4 / aluminium: 0.3 / copper: 0.2	
Hysteresis [% of Sr]	1...15	
Switch point drift [% of Sr]	-10...10	
Operating conditions		
Ambient temperature [°C]	-25...80	
Protection	IP 65	
Tests / approvals		
EMC	EN 60947-5-2	class B
	EN 55011	
MTTF [years]	1612	
Mechanical data		
Weight [g]	168.6	
Housing	rectangular	
Mounting	flush mountable	
Dimensions [mm]	40 x 40 x 120	
Materials	PPE	
Displays / operating elements		
Display	switching status	1 x LED, yellow
	operation	1 x LED, green
Accessories		
Accessories (supplied)	stainless steel screws: M3, captive	
Remarks		
Pack quantity	1 pcs.	
Electrical connection		
terminals: ...2.5 mm ² ; Cable sheath: Ø 7...13 mm; Cable gland: M20 X 1.5		

Connection

