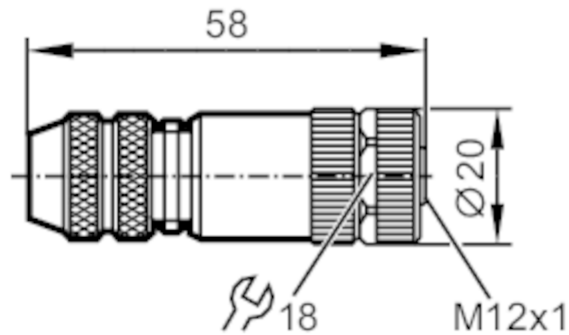


E12356



Wirable socket

SDOGH040MSSFKSG



Application	
Design	B-coded
Free from silicone	yes
Electrical data	
Operating voltage [V]	< 45 AC / < 70 DC
Max. current load total [A]	4; (...40 °C)
Operating conditions	
Ambient temperature [°C]	-40...85
Protection	IP 67
Mechanical data	
Weight [g]	47.6
Dimensions [mm]	20 x 20 x 58
Materials	diecast zinc nickel-plated
Material nut	diecast zinc
Remarks	
Pack quantity	1 pcs.
Electrical connection	
screw terminals: ...0.75 mm ² ; Cable sheath: Ø 6...8 mm	
Electrical connection - socket	
Connector: 1 x M12, straight; Moulded body: diecast zinc, nickel-plated; Locking: diecast zinc, nickel-plated; Contacts: gold-plated; Shielded connection cable: shieldable	

E12356

Wirable socket

SDOGH040MSSFKSG



Connection

