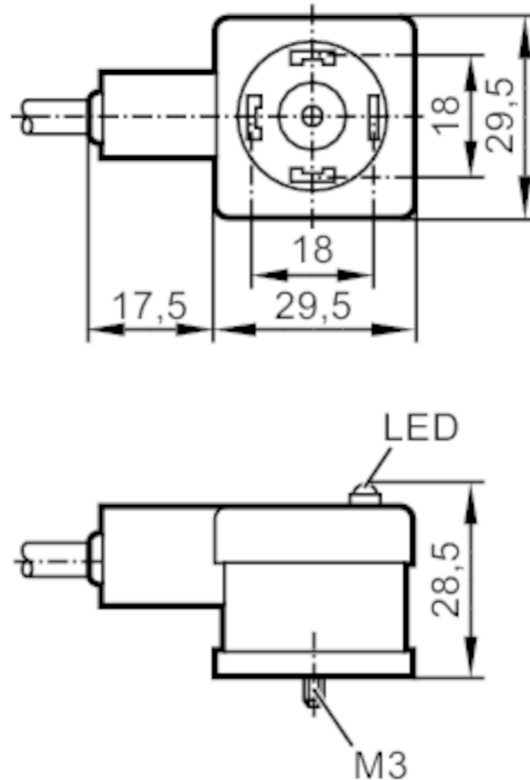


E11651



Jumper cable with valve plug

AVDAA031PLS0005H03



Application

Free from silicone yes

Electrical data

Operating voltage [V] < 24 AC/DC
Overvoltage protection yes; (VDR)
Max. current load total [A] 5

Operating conditions

Ambient temperature [°C] -20...80
Protection IP 67

Mechanical data

Weight [g] 251.6
Dimensions [mm] 28.5 x 29.5 x 47
Materials PP; FKM
Material nut brass

Displays / operating elements

Display switching status 1 x LED, yellow

Remarks

Pack quantity 1 pcs.

Electrical connection

Cable: 5 m, PUR, Halogen-free, Ø 6.6 mm; 3 x 0.5 mm² / AWG 20

Electrical connection - socket

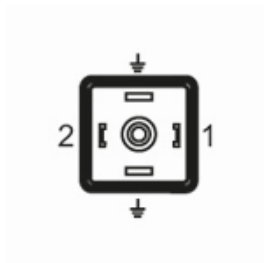
Connector: 1 x valve type A DIN, angled; Moulded body: PP / FPM; Locking: brass, nickel-plated

E11651

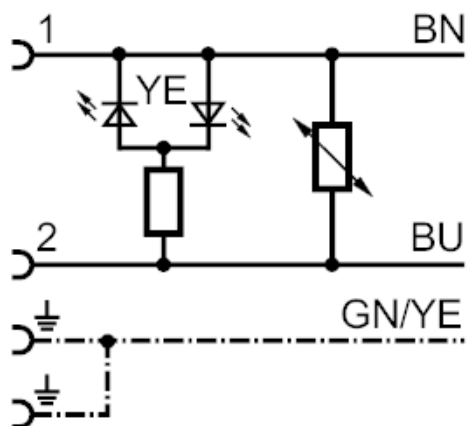


Jumper cable with valve plug

AVDAA031PLS0005H03



Connection



Core colours :

BN =

brown

BU =

blue

GN/YE =

green/yellow