

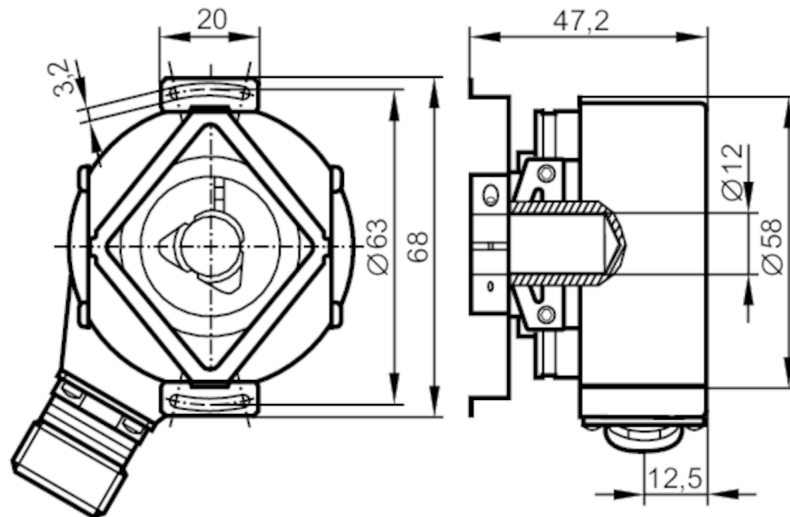
RO6355



Incremental encoder with hollow shaft

RO-3600-I24/T U

Status Archive



Application

Function principle incremental

Electrical data

Operating voltage [V] 10...30 DC
 Current consumption [mA] < 200

Outputs

Electrical design HTL
 Max. current load per output [mA] 50
 Switching frequency [kHz] 300
 Type of short-circuit protection < 60 s
 Phase difference A und B [°] 90

Measuring/setting range

Resolution 3600 resolution

Operating conditions

Ambient temperature [°C] -40...100
 Max. relative air humidity [%] 98
 Protection IP 64; (on the housing: IP 67; on the shaft: IP 64)

Tests / approvals

Shock resistance 100 g (6 ms)
 Vibration resistance 10 g (55...2000 Hz)
 MTTF [years] 190

RO6355



Incremental encoder with hollow shaft

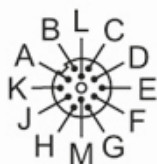
RO-3600-I24/T U

Mechanical data	
Weight [g]	386.9
Dimensions [mm]	Ø 58 / L = 47.2
Materials	aluminium
Max. revolution, mechanical [U/min]	12000
Max. starting torque [Nm]	1
Reference temperature torque [°C]	20
Shaft design	hollow shaft open to one side
Shaft diameter [mm]	12
Shaft fit	H7
Shaft material	stainless steel
Installation depth of shaft [mm]	10
Max. axial shaft misalignment [mm]	1; (max. radial shaft alignment: ± 0,05 mm)
Remarks	
Notes	discontinued article

Electrical connection

A	B inverted
B	Ub sensor
C	0 index
D	0 index inverted
E	A
F	A inverted
G	failure inverted
H	B
K	0V Un
L	0V sensor
M	L+ Up
screen	housing

Connector: 1 x M18 (ifm 1001.20), radial



RO6355

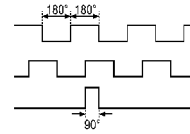


Incremental encoder with hollow shaft

RO-3600-I24/T U

Diagrams and graphs

Pulse diagram



Output A

Output B

0 index

[Status Archive](#)