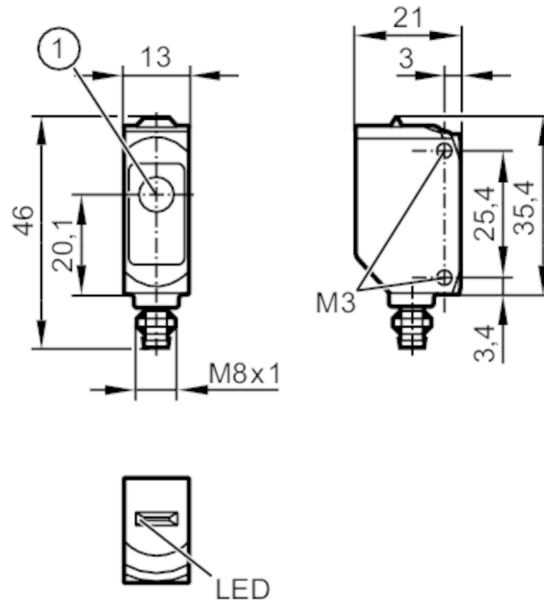


O6S202



Through-beam sensor transmitter

O6S-OOKG/AS/3P



1 light emission



Application

Function principle Through-beam sensor

Electrical data

Operating voltage [V]	10...30 DC
Current consumption [mA]	11; ((24 V))
Protection class	III
Type of light	red light
Wave length [nm]	633

Detection zone

Transmitter / receiver	transmitter
Range [m]	< 10
Max. light spot diameter [mm]	300
Light spot dimensions refer to	at maximum range

Operating conditions

Ambient temperature [°C]	-25...60
Protection	IP 65; IP 67

Tests / approvals

EMC	EN 60947-5-2	
MTTF [years]		2600
UL approval	UL Approval no.	E002

O6S202



Through-beam sensor transmitter

O6S-OOKG/AS/3P

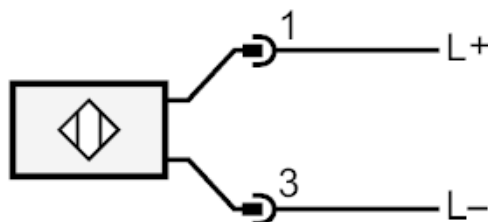
Mechanical data		
Weight	[g]	18.8
Housing		rectangular
Dimensions	[mm]	35.4 x 13 x 21
Materials		housing: ABS; PPSU; connector thread: brass coated; Sealing: EPDM
Lens material		PMMA
Lens alignment		side lens
Material nut		brass
Tightening torque	[Nm]	0.5
Displays / operating elements		
Display	operation	1 x LED, green
Remarks		
Remarks		operating voltage "supply class 2" according to cULus
Pack quantity		1 pcs.

Electrical connection

Connector: 1 x M8; Locking: brass, coated



Connection



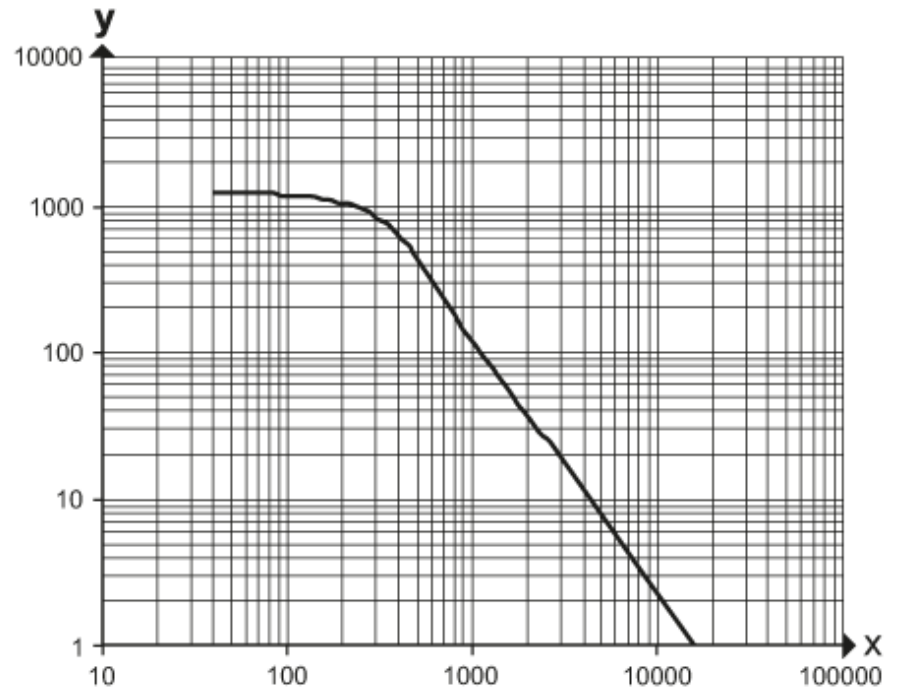


Through-beam sensor transmitter

O6S-00KG/AS/3P

Diagrams and graphs

excess gain graph



x: Abstand [mm]

y: Funktionsreservfaktor