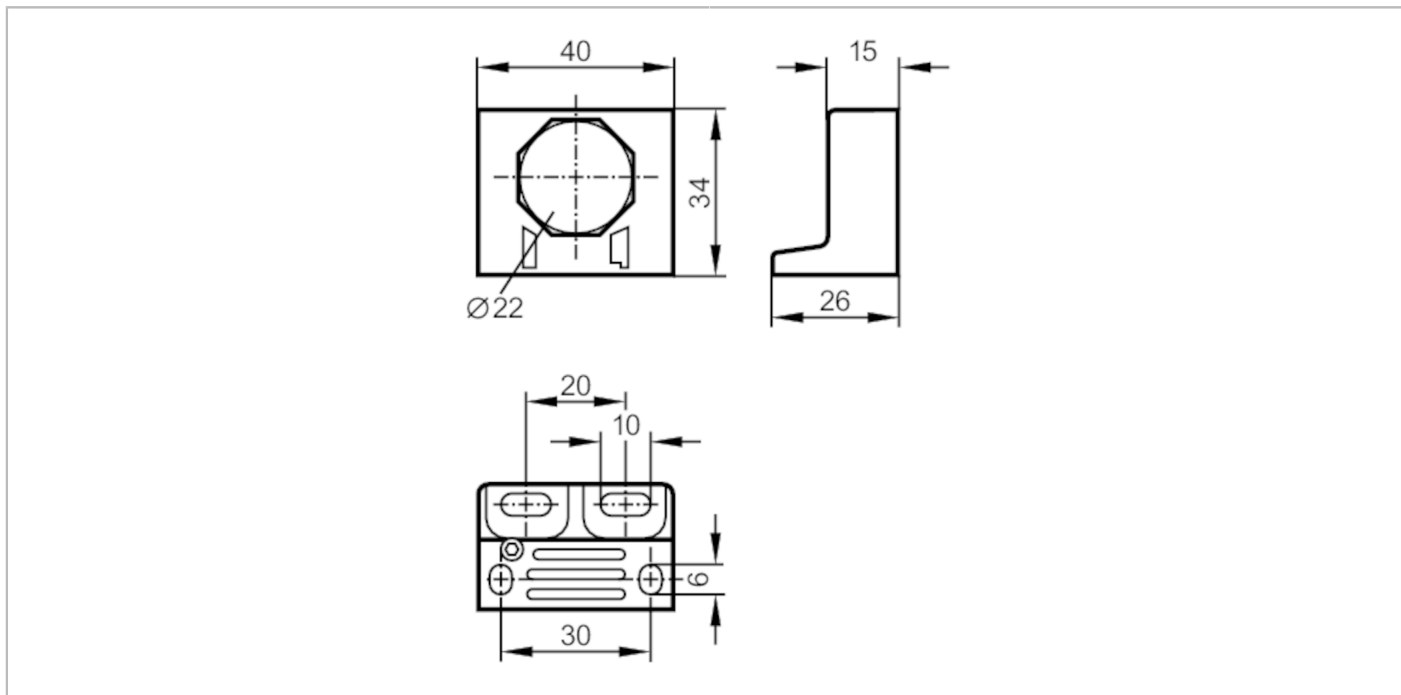


# E10624



## Angle bracket

MOUNTING BRACKET IMC



### Mechanical data

|            |      |              |
|------------|------|--------------|
| Weight     | [g]  | 23.8         |
| Dimensions | [mm] | 34 x 40 x 26 |
| Materials  |      | PPS          |

### Remarks

|               |  |        |
|---------------|--|--------|
| Pack quantity |  | 1 pcs. |
|---------------|--|--------|