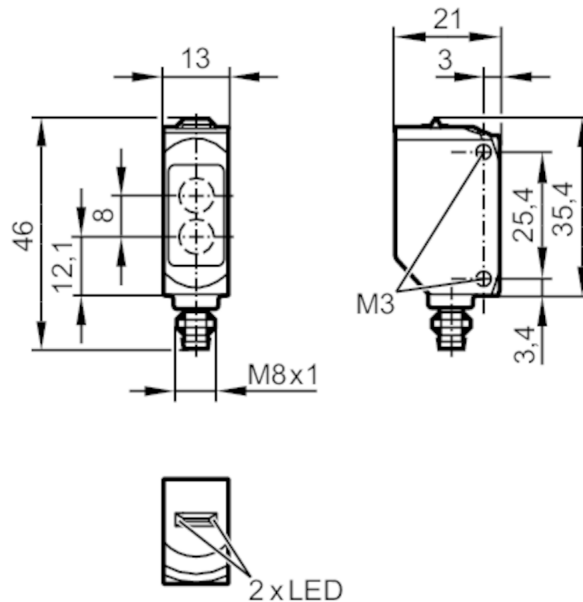


O6H211



Diffuse reflection sensor with background suppression

O6H-HPKG/AS/4P



receiver in upper lens
transmitter in lower lens



Application

Function principle Diffuse reflection sensor

Electrical data

Operating voltage [V]	10...30 DC
Current consumption [mA]	22; ((24 V))
Protection class	III
Reverse polarity protection	yes
Type of light	red light
Wave length [nm]	633

Outputs

Electrical design	PNP
Output function	light-on mode
Max. voltage drop switching output DC [V]	2.5
Permanent current rating of switching output DC [mA]	100
Switching frequency DC [Hz]	1000
Short-circuit protection	yes
Type of short-circuit protection	pulsed

O6H211



Diffuse reflection sensor with background suppression

O6H-HPKG/AS/4P

Detection zone	
Range [mm]	< 100; (white paper 200 x 200 mm)
Range on white object (90 % remission) [mm]	< 100
Range on grey object (18 % remission) [mm]	4...100
Range on black object (6 % remission) [mm]	8...100
Max. light spot diameter [mm]	6
Light spot dimensions refer to	at maximum range
Background suppression available	yes

Operating conditions	
Ambient temperature [°C]	-25...60
Protection	IP 65; IP 67

Tests / approvals	
EMC	EN 60947-5-2
MTTF [years]	1113
UL approval	UL Approval no. E001

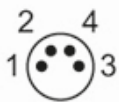
Mechanical data	
Weight [g]	15.3
Housing	rectangular
Dimensions [mm]	46 x 13 x 21
Materials	housing: ABS; PPSU; connector thread: brass coated; Sealing: EPDM
Lens material	PMMA
Lens alignment	side lens
Material nut	brass
Tightening torque [Nm]	0.5

Displays / operating elements		
Display	switching status	1 x LED, yellow
	operation	1 x LED, green

Remarks	
Remarks	operating voltage "supply class 2" according to cULus
Pack quantity	1 pcs.

Electrical connection

Connector: 1 x M8; Locking: brass, coated



O6H211



Diffuse reflection sensor with background suppression

O6H-HPKG/AS/4P

Connection

