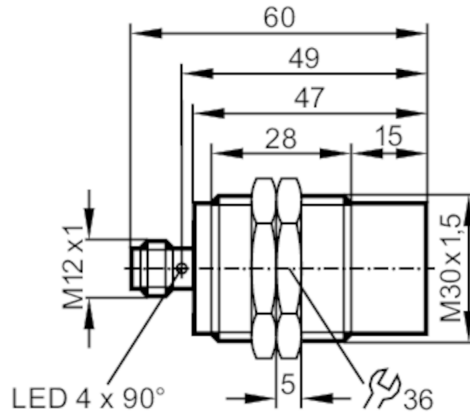


IIC207



Inductive sensor

IIC3022-BPKG/M/US-104-DPS



Electrical data		
Operating voltage	[V]	10...36 DC
Current consumption	[mA]	10; (24 V)
Protection class		II
Reverse polarity protection		yes
Outputs		
Electrical design		PNP
Output function		normally open
Max. voltage drop switching output DC	[V]	2.5
Permanent current rating of switching output DC	[mA]	200
Switching frequency DC	[Hz]	100
Short-circuit protection		yes
Type of short-circuit protection		pulsed
Overload protection		yes
Detection zone		
Sensing range	[mm]	22
Real sensing range Sr	[mm]	22 ± 10 %
Operating distance	[mm]	0...17.82
Increased sensing range		yes
Accuracy / deviations		
Correction factor		steel: 1 / stainless steel: 0.7 / brass: 0.4 / aluminium: 0.3 / copper: 0.2
Hysteresis	[% of Sr]	1...20
Switch point drift	[% of Sr]	-10...10
Operating conditions		
Ambient temperature	[°C]	-25...70
Protection		IP 68; ("Coolant")

IIC207



Inductive sensor

IIC3022-BPKG/M/US-104-DPS

Tests / approvals		
EMC	EN 61000-4-2 ESD	4 kV CD / 8 kV AD
	EN 61000-4-3 HF radiated	10 V/m
	EN 61000-4-4 Burst	2 kV
	EN 61000-4-6 HF conducted	10 V
	EN 55011	class B
MTTF	[years]	1730
UL approval	Ta	0...40 °C
	Enclosure type	Type 1
	voltage supply	Limited Voltage/Current
	File number UL	E174191

Mechanical data		
Weight	[g]	119.2
Housing		threaded type
Mounting		non-flush mountable
Dimensions	[mm]	M30 x 1.5 / L = 60
Thread designation		M30 x 1.5
Materials		brass white bronze coated; sensing face: LCP

Displays / operating elements		
Display	switching status	4 x 90° LED, yellow

Accessories		
Accessories (supplied)		lock nuts: 2

Remarks		
Pack quantity		1 pcs.

Electrical connection - plug

Connector: 1 x M12; Contacts: gold-plated



IIC207



Inductive sensor

IIC3022-BPKG/M/US-104-DPS

Connection

