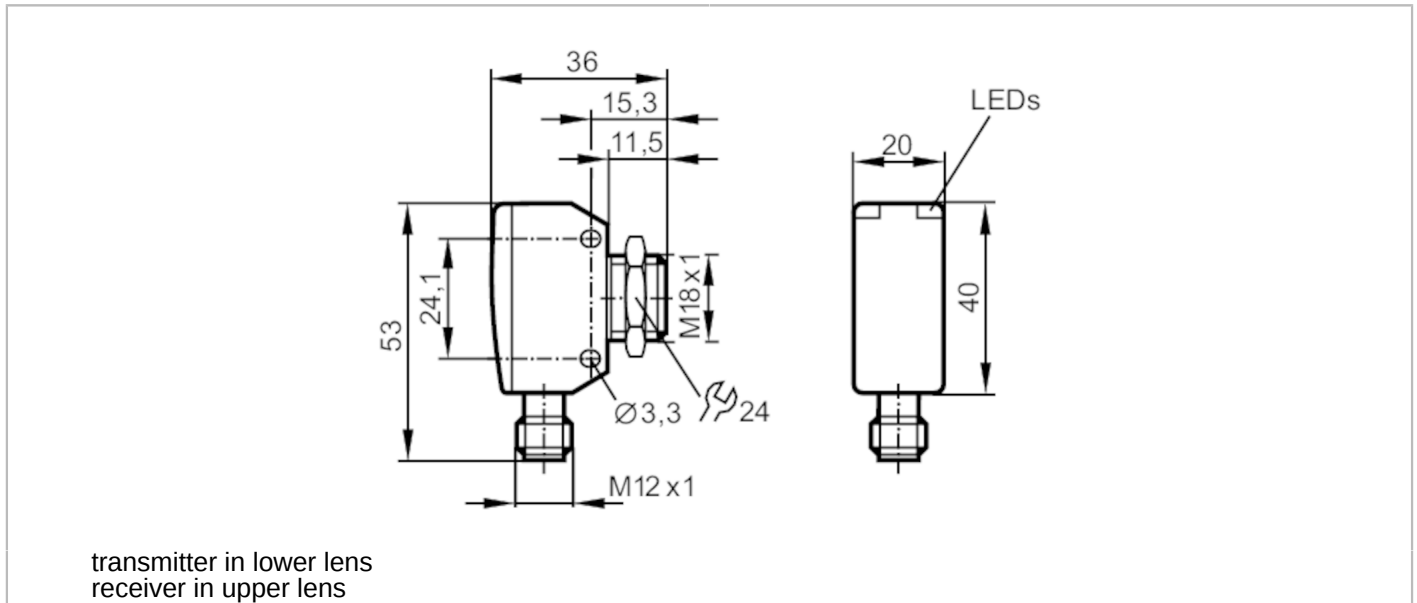


OGH382



Diffuse reflection sensor with background suppression

OGH-HNKG/US/IV4A/CUBE/100MM



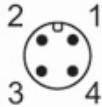
| Application | |
|--|--|
| Function principle | Diffuse reflection sensor |
| Electrical data | |
| Operating voltage [V] | 10...30 DC |
| Current consumption [mA] | 30 |
| Protection class | III |
| Reverse polarity protection | yes |
| Type of light | red light |
| Wave length [nm] | 624 |
| Outputs | |
| Electrical design | NPN |
| Output function | light-on mode |
| Max. voltage drop switching output DC [V] | 2.5 |
| Permanent current rating of switching output DC [mA] | 150; (200 (...60 °C)) |
| Switching frequency DC [Hz] | 1000 |
| Short-circuit protection | yes |
| Type of short-circuit protection | pulsed |
| Overload protection | yes |
| Detection zone | |
| Range [mm] | < 100; (white paper 200 x 200 mm 90 % remission) |
| Range adjustable | no |
| Max. light spot diameter [mm] | 7 |
| Light spot dimensions refer to | at maximum range |
| Background suppression available | yes |

OGH382



Diffuse reflection sensor with background suppression

OGH-HNKG/US/IV4A/CUBE/100MM

| Operating conditions | | |
|---|------------------|---|
| Ambient temperature | [°C] | -25...80 |
| Protection | | IP 67; IP 68; IP 69K |
| Tests / approvals | | |
| EMC | | EN 60947-5-2 |
| MTTF | [years] | 856 |
| Mechanical data | | |
| Weight | [g] | 80.6 |
| Housing | | rectangular |
| Dimensions | [mm] | M18 x 1 |
| Thread designation | | M18 x 1 |
| Materials | | 1.4542 (17-4 PH / 630); PEI |
| Lens material | | PEI |
| Lens alignment | | side lens |
| Displays / operating elements | | |
| Display | switching status | 1 x LED, yellow |
| | operation | 1 x LED, green |
| Accessories | | |
| Accessories (supplied) | | lock nut: 1 x, stainless steel |
| Remarks | | |
| Remarks | | operating voltage "supply class 2" according to cULus |
| Pack quantity | | 1 pcs. |
| Electrical connection | | |
| Connector: 1 x M12 | | |
|  | | |

OGH382



Diffuse reflection sensor with background suppression

OGH-HNKG/US/V4A/CUBE/100MM

Connection

