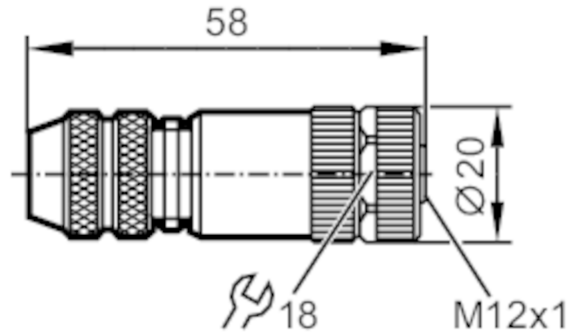


E12354



Wirable socket

SDOGH040MSSFKSG



Application

Free from silicone yes

Electrical data

Operating voltage [V] < 45 AC / < 70 DC

Max. current load total [A] 4; (...40 °C)

Operating conditions

Ambient temperature [°C] -40...85

Protection IP 67

Mechanical data

Weight [g] 47.8

Dimensions [mm] 20 x 20 x 58

Materials diecast zinc nickel-plated

Material nut diecast zinc

Remarks

Pack quantity 1 pcs.

Electrical connection

screw terminals: ...0.75 mm²; Cable sheath: Ø 6...8 mm

Electrical connection - socket

Connector: 1 x M12, straight; Moulded body: diecast zinc, nickel-plated; Locking: diecast zinc, nickel-plated; Contacts: gold-plated; Shielded connection cable: shieldable

E12354

Wirable socket

SDOGH040MSSFKSG



Connection

