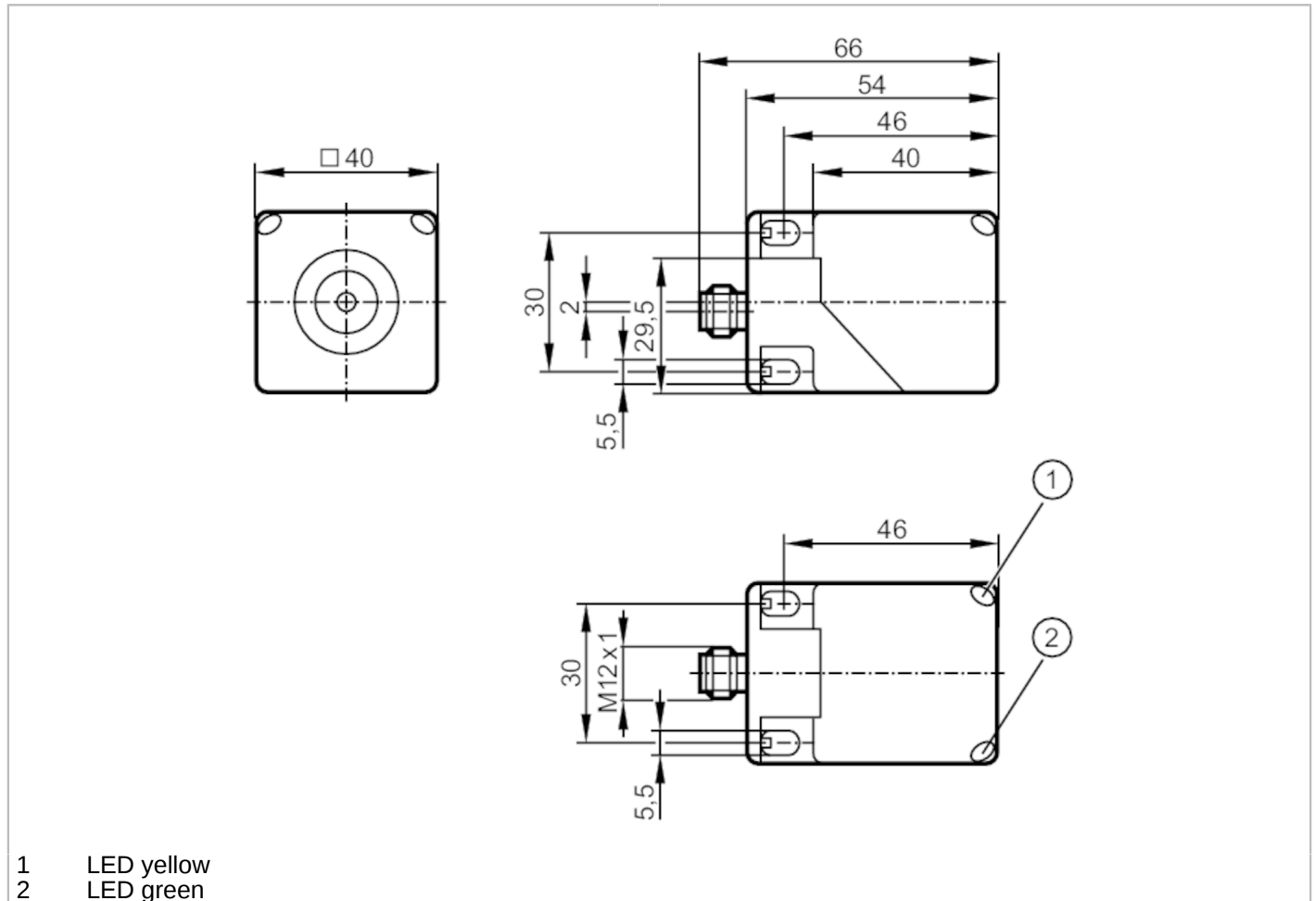


IM5172



Inductive sensor with IO-Link

IMC3020BFRKG/IO/US-100



Electrical data	
Operating voltage [V]	10...30 DC
Current consumption [mA]	10
Protection class	III
Reverse polarity protection	yes
Outputs	
Electrical design	PNP/NPN
Output function	normally open / normally closed; (selectable)
Max. voltage drop switching output DC [V]	2.5
Permanent current rating of switching output DC [mA]	100
Switching frequency DC [Hz]	100
Short-circuit protection	yes
Overload protection	yes
Detection zone	
Measuring range [mm]	2.1...21

IM5172



Inductive sensor with IO-Link

IMC3020BFRKG/IO/US-100

Accuracy / deviations		
Correction factor		steel: 1 / stainless steel: 0.8 / brass: 0.4 / aluminium: 0.4 / copper: 0.3
Hysteresis	[% of Sr]	3...15
Linearity error of analogue output	[%]	± 2 %; (of the final value of the measuring range)
Repeatability analogue output	[%]	± 1 %; (of the final value of the measuring range)
Temperature coefficient		± 0,2 %/K; (of the final value of the measuring range)
Interfaces		
Communication interface		IO-Link
Transmission type		COM2 (38,4 kBaud)
IO-Link revision		1.1
SDCI standard		IEC 61131-9 CDV
IO-Link device ID		791d / 000317h
Profiles		Smart Sensor: Device Identification; Device Diagnosis; Device Teach Channel; Binary Data Channel; Process Data Variable
SIO mode		yes
Required master port type		A
Min. process cycle time	[ms]	3
Operating conditions		
Ambient temperature	[°C]	-25...80
Protection		IP 67
Tests / approvals		
EMC	EN 61000-4-2 ESD	4 kV CD / 8 kV AD
	EN 61000-4-3 HF radiated	10 V/m
	EN 61000-4-4 Burst	2 kV
	EN 61000-4-6 HF conducted	10 V
	EN 55011	class B
MTTF	[years]	632
UL approval	Ta	-25...70 °C
	Enclosure type	Type 1
	voltage supply	Limited Voltage/Current
	UL Approval no.	A009
	File number UL	E174191
Mechanical data		
Weight	[g]	147.2
Housing		rectangular
Sensing face		5 positions selectable
Mounting		flush mountable
Dimensions	[mm]	40 x 40 x 54
Materials		PA; connector thread: brass white bronze coated

IM5172



Inductive sensor with IO-Link

IMC3020BFRKG/IO/US-100

Displays / operating elements

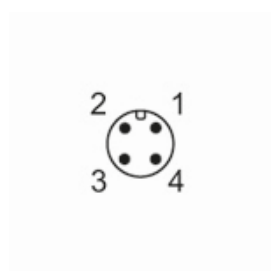
Display	operation	LED, green
	SIO mode	
	output stage supplied with current	LED, yellow lights
	IO-Link mode	
	target in measuring range	LED, yellow lights
	target outside measuring range	LED, yellow flashing

Remarks

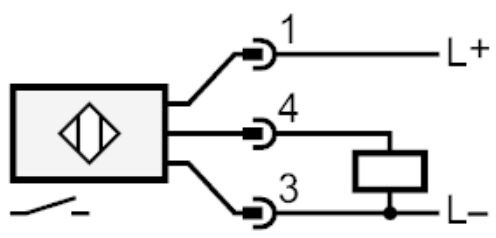
Pack quantity	1 pcs.
---------------	--------

Electrical connection - plug

Connector: 1 x M12



Connection



4: OUT / IO-Link