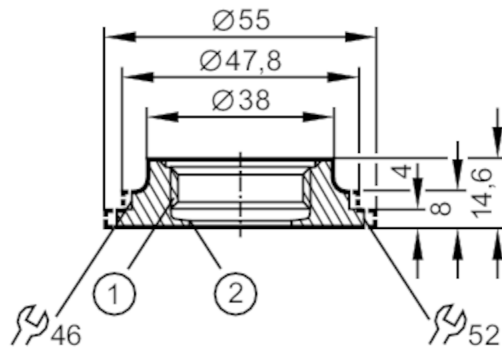


E33031



Process adapter for SMS pipe fitting

ADAPT IFM-SMS DN40 (1.5)



- 1 Aseptoflex thread
- 2 Aseptoflex sealing edge

EC 1935/2004 

Application

Pressure rating [bar] 40

Mechanical data

Weight [g]	161.8
Materials	stainless steel (1.4404 / 316L)
Sensor connection	Aseptoflex
Process connection	SMS pipe fitting DN40 (1,5")
Surface characteristics Ra/Rz of the wetted parts	0.4 / 4
Hygienic equipment class to DIN 11866	H4

Remarks

Pack quantity 1 pcs.