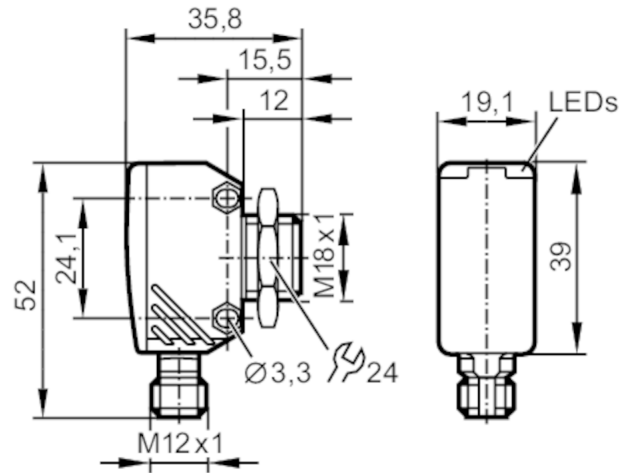


OGH282



Diffuse reflection sensor with background suppression

OGH-HNKG/US/CUBE/100MM



transmitter in lower lens
receiver in upper lens



Application	
Function principle	Diffuse reflection sensor
Electrical data	
Operating voltage [V]	10...30 DC
Current consumption [mA]	30
Protection class	III
Reverse polarity protection	yes
Type of light	red light
Wave length [nm]	624
Outputs	
Electrical design	NPN
Output function	light-on mode
Max. voltage drop switching output DC [V]	2.5
Permanent current rating of switching output DC [mA]	200
Switching frequency DC [Hz]	1000
Short-circuit protection	yes
Type of short-circuit protection	pulsed
Overload protection	yes



Diffuse reflection sensor with background suppression

OGH-HNKG/US/CUBE/100MM

Detection zone		
Range	[mm]	< 100; (white paper 200 x 200 mm 90 % remission)
Range on white object (90 % remission)	[mm]	< 100
Range on grey object (18 % remission)	[mm]	< 100
Range on black object (6 % remission)	[mm]	< 100
Range adjustable		no
Max. light spot diameter	[mm]	7
Light spot dimensions refer to		at maximum range
Background suppression available		yes

Operating conditions		
Ambient temperature	[°C]	-25...60
Protection		IP 67

Tests / approvals		
EMC		EN 60947-5-2
MTTF	[years]	366

Mechanical data		
Weight	[g]	60.4
Housing		rectangular
Materials		diecast zinc; PEI
Lens material		PEI
Lens alignment		side lens

Displays / operating elements		
Display	switching status	1 x LED, yellow
	operation	1 x LED, green

Accessories		
Accessories (supplied)		lock nut: 1 x

Remarks		
Remarks		operating voltage "supply class 2" according to cULus
Pack quantity		1 pcs.

Electrical connection

Connector: 1 x M12



OGH282



Diffuse reflection sensor with background suppression

OGH-HNKG/US/CUBE/100MM

Connection

