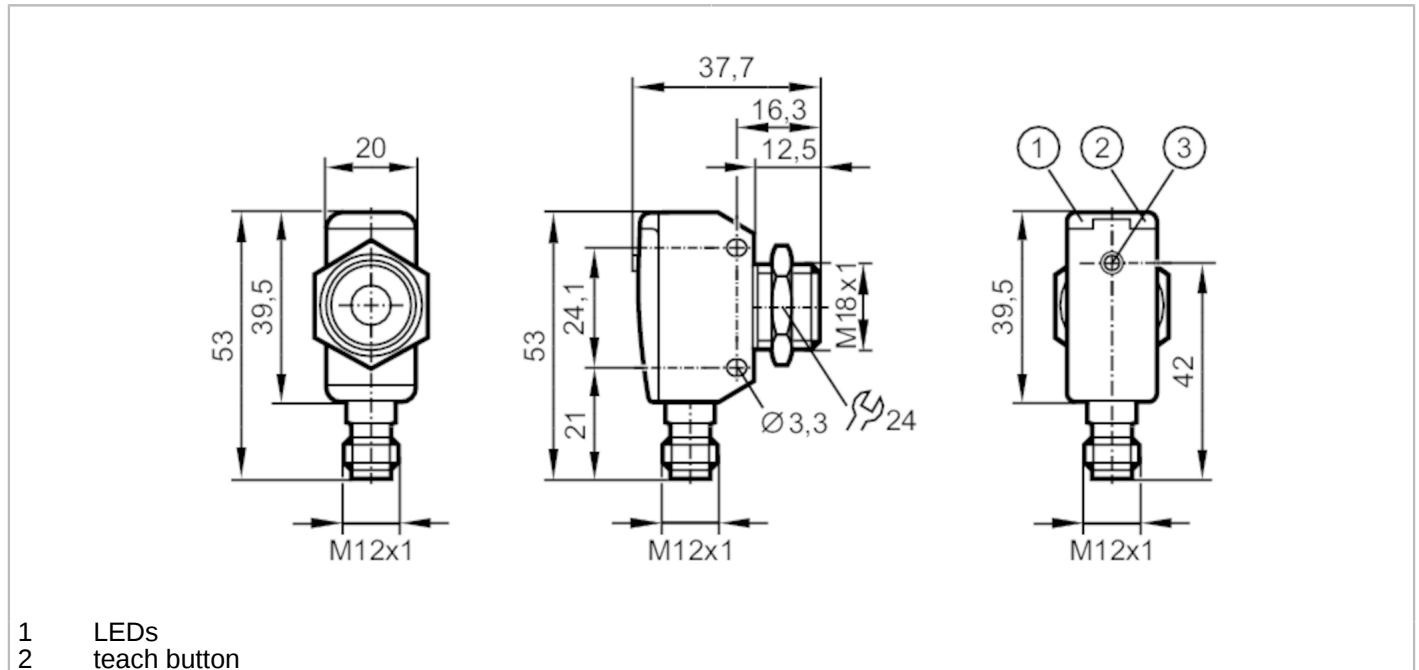


# UGT592



## ultrasonic diffuse reflection sensor

UGQ00300EOKG/IO-Link/US



- 1 LEDs
- 2 teach button



Electrical data	
Operating voltage [V]	10...30 DC; ("supply class 2" to cULus)
Current consumption [mA]	< 35
Protection class	III
Reverse polarity protection	yes
Power-on delay time [s]	0.1
Converter frequency [kHz]	300
Outputs	
Output function	normally open / normally closed; (parameterisable)
Max. voltage drop switching output DC [V]	2.2
Permanent current rating of switching output DC [mA]	100
Switching frequency DC [Hz]	8
Electrical design	PNP
Short-circuit protection	yes
Overload protection	yes
Detection zone	
Sensing range [mm]	40...300
Blind zone [mm]	40
Angle of aperture cylindrical [°]	±7
Detection range hysteresis [mm]	< 1
Max. deviation from the 90° angle sensor/object [°]	± 4

# UGT592



## ultrasonic diffuse reflection sensor

UGQ00300EOKG/IO-Link/US

Accuracy / deviations		
Notes on the accuracy / deviation	The indicated values are reached after a warm-up time of 20 minutes.	
Temperature compensation		yes
Hysteresis [%]		< 1
Switch point drift [%]		-2...2
Linearity error of analogue output [%]		≤ 1
Interfaces		
Communication interface	IO-Link	
Transmission type	COM2 (38,4 kBaud)	
IO-Link revision	1.1	
SDCI standard	IEC 61131-9	
IO-Link device ID	886 d / 00 03 76 h	
Profiles	Smart Sensor: Process Data Variable; Device Identification	
SIO mode	yes	
Required master port type	A	
Min. process cycle time [ms]	3.2	
Operating conditions		
Ambient temperature [°C]	-20...70	
Protection	IP 67	
Tests / approvals		
EMC	EN 61000-4-2 ESD	4 kV CD / plastics 8 kV AD / metal
	EN 61000-4-3 HF radiated	3 V/m
	EN 61000-4-4 Burst	2 kV
	EN 61000-4-6 HF conducted	3 V
	EN 55011	Class A
Vibration resistance	EN 60068-2-6 Fc	(10-55) Hz 1 mm amplitude, oscillation period 5 min., 30 min. per axis at resonance or 55 Hz
Shock resistance	EN 60068-2-27 Ea	yes
MTTF [years]	197	
Mechanical data		
Weight [g]	97.5	
Housing	rectangular	
Dimensions [mm]	M18 x 1	
Thread designation	M18 x 1	
Materials	1.4542 (17-4 PH / 630); PBT; PA; epoxy glass ceramics	
Displays / operating elements		
Display	switching status	1 LED, yellow
	echo	1 LED, green
Accessories		
Accessories (supplied)	lock nuts: 1, stainless steel	

# UGT592



## ultrasonic diffuse reflection sensor

UGQ00300EOKG/IO-Link/US

### Remarks

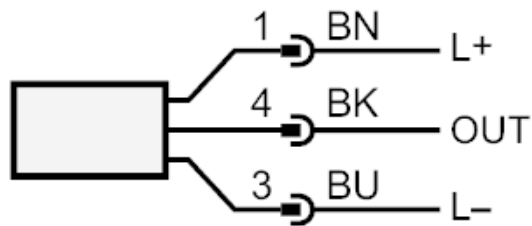
Remarks	operating voltage "supply class 2" according to cULus
Pack quantity	1 pcs.

### Electrical connection

Connector: 1 x M12

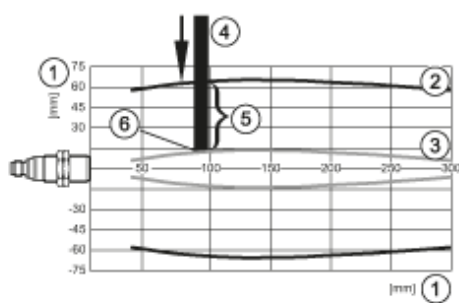
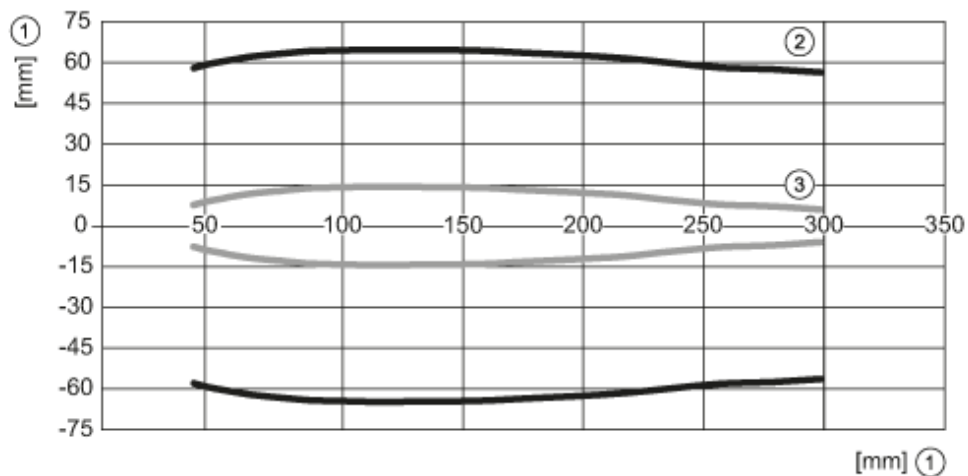


### Connection



OUT: switching output / IO-Link

### Diagrams and graphs



- 1: distance
- 2: Detection zone
- 3: switch-on/switch-off graph
- 4: Target 100 x 100 mm
- 5: 50 % of the target in the detection zone
- 6: switch point