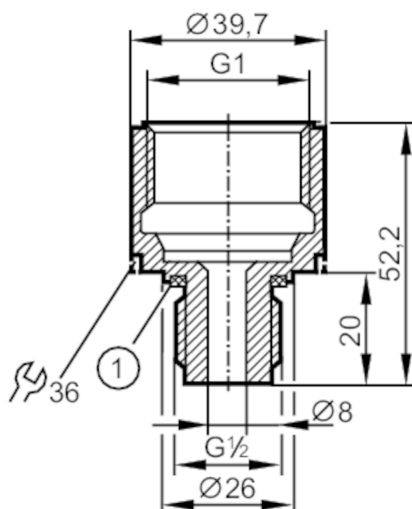


E30116



Screw-in adapter for process sensors

ADAPT G1-I / G1/2-A



1 sealings

Application

Pressure rating [bar] 100

Mechanical data

Weight [g] 189

Materials stainless steel (1.4404 / 316L); Sealing: FKM

Sensor connection G 1

Process connection G 1/2

Remarks

Pack quantity 1 pcs.