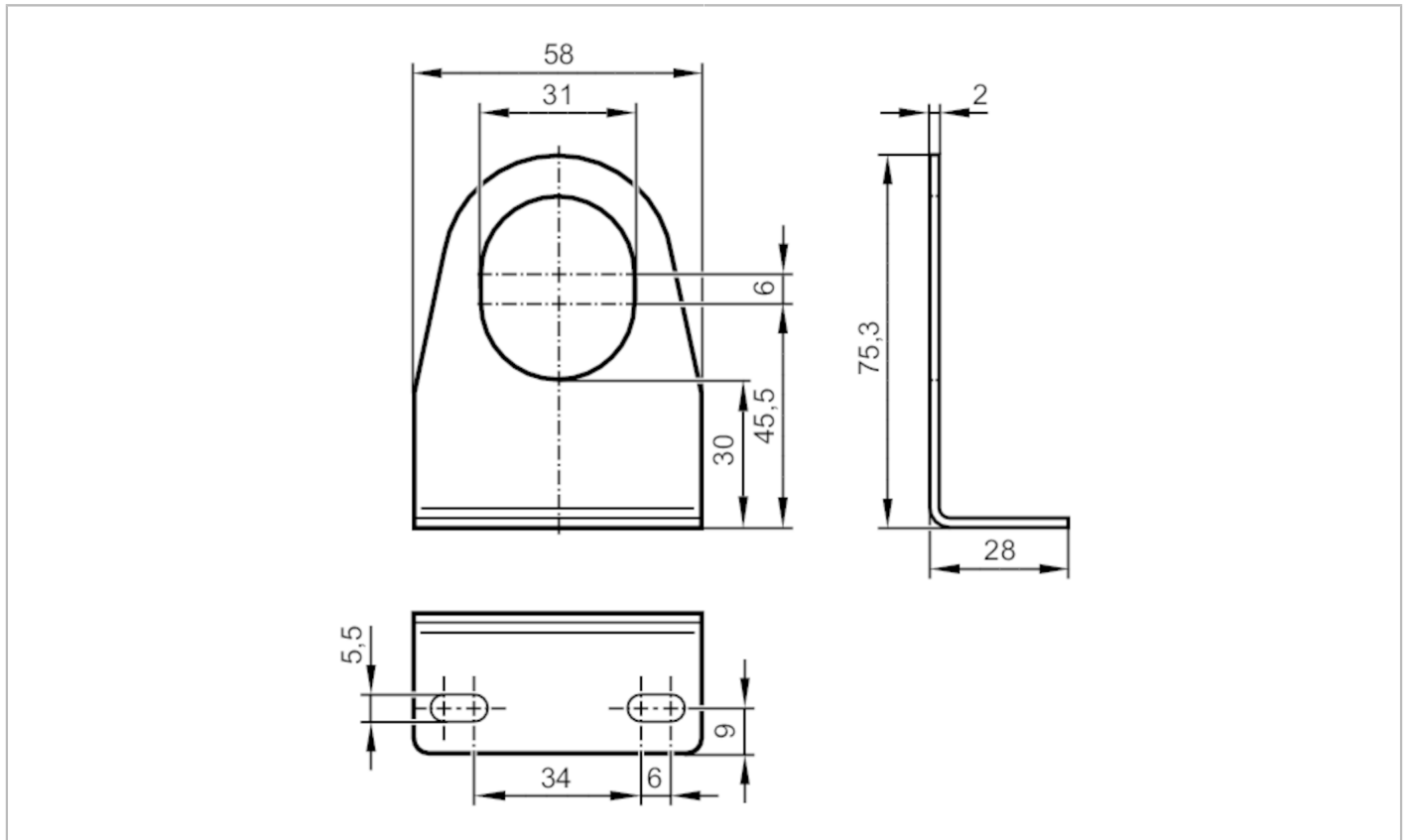


# E12487



## Angle bracket

ANGLE BRACKET M30 / K1



Application	
Design	for type M30
Mechanical data	
Weight [g]	80.8
Dimensions [mm]	75.3 x 58 x 28
Materials	stainless steel (1.4301 / 304)
Accessories	
Accessories (supplied)	lock washers: 2 x Ø 30 mm, for M30 sensor
Remarks	
Pack quantity	1 pcs.