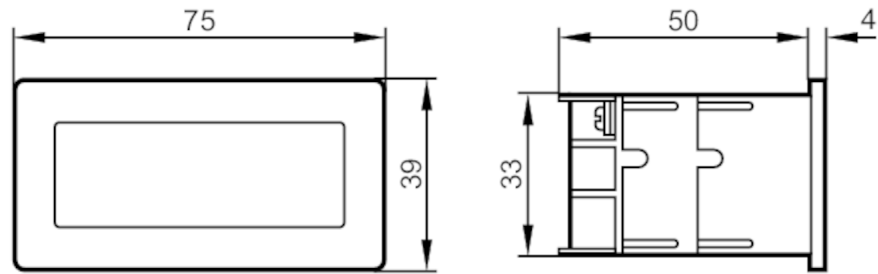


E89150



LC display

LC-DISPLAY



panel cutout 68 x 33 mm to DIN



Application

Application scalable display for sensors with analogue output

Detection zone

Sensing range adjustable no

Operating conditions

Ambient temperature [°C] 0...60

Protection IP 65; (mounted with washer)

Mechanical data

Weight [g] 122

Housing housing for panel mounting

Dimensions [mm] 39 x 75 x 54

Materials plastics



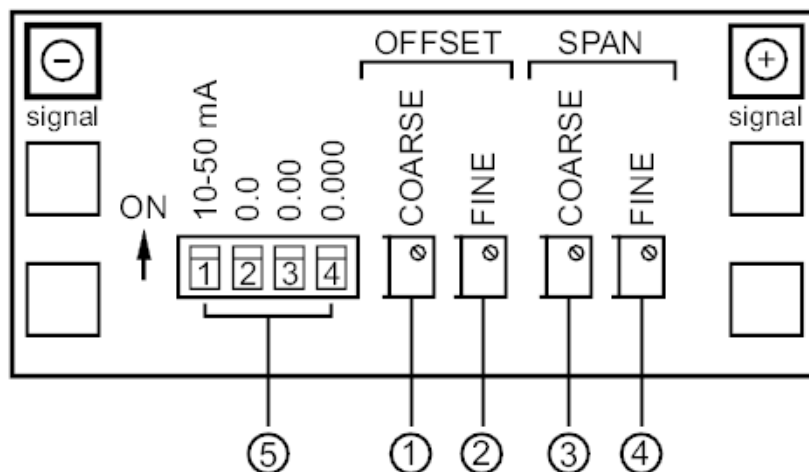
LC display

LC-DISPLAY

Electrical connection

terminals: ...2.5 mm²

Connection



- potentiometer
- 1 zero point adjustment coarse
- 2 zero point adjustment fine
- 3 Display range coarse
- 4 Display range fine
- DIP switch
- 5 decimal point , input 10...50mA