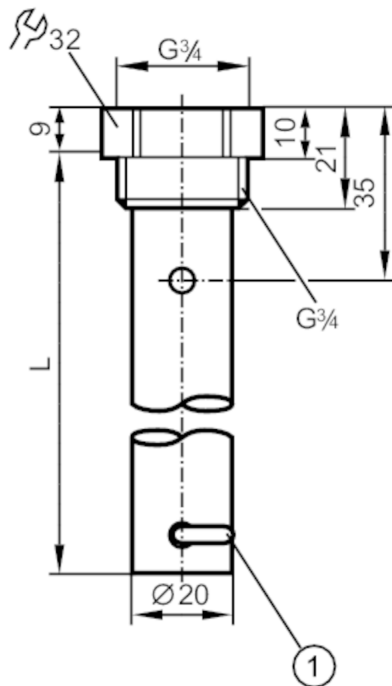


E43356



Coaxial pipe for level sensors

LR COAX TUBE 2000 V2A



1 fixing bracket for centring piece

Application

Design for level sensors LR205x

Mechanical data

Weight [g] 1070

Materials Coaxial pipe: stainless steel (1.4301 / 304); fixing bracket: stainless steel (1.4310 / 301); Centring piece: PP-GF30; Sealing: ;

Length [mm] 2000

Accessories

Accessories (supplied) Sealing:, Aramid 20 / NBR80

Remarks

Pack quantity 1 pcs.