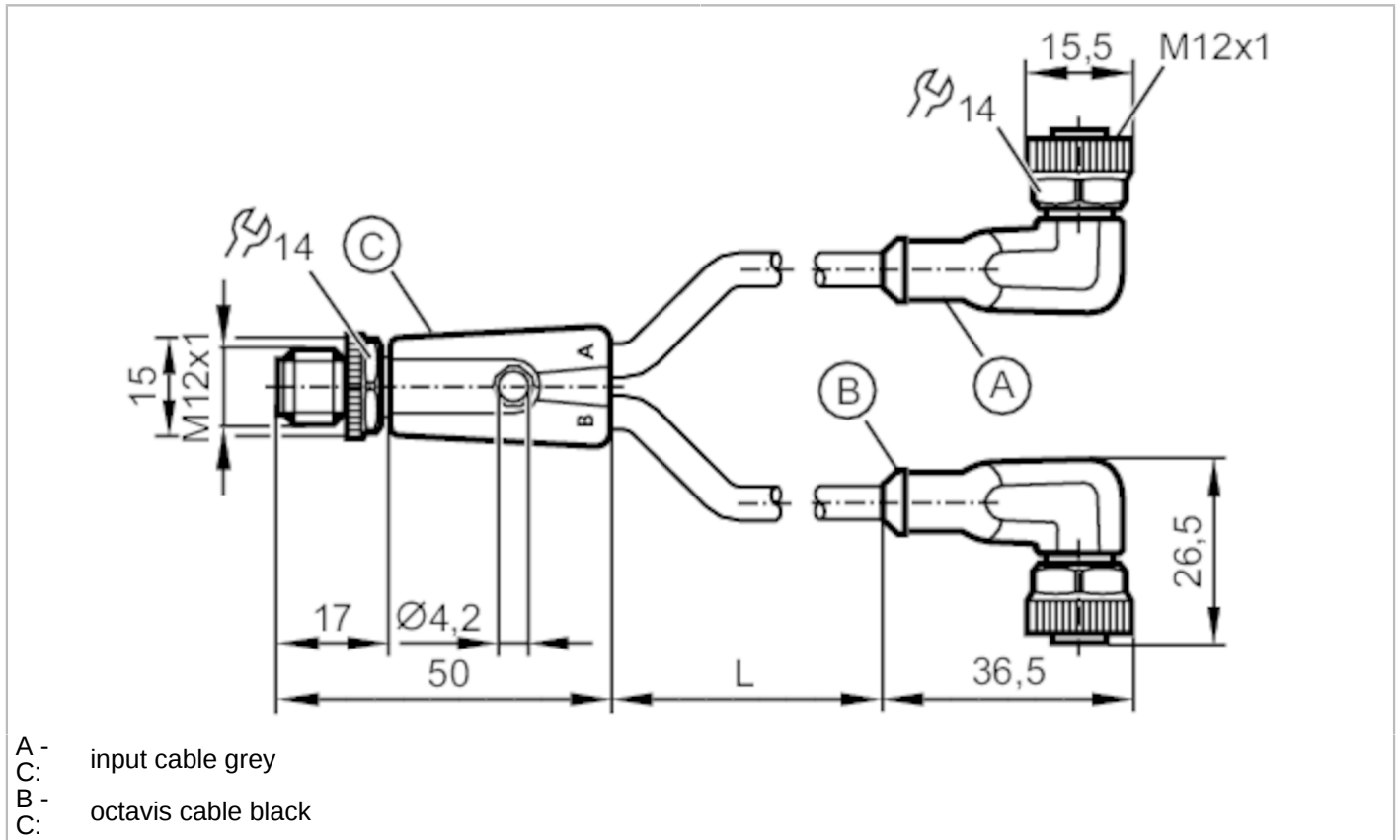


EVC618



Y connection cable

YDOAH040MSS0002H04STGH040MSS



Application	
Free from silicone	yes
Electrical data	
Operating voltage [V]	< 60 AC/DC
Protection class	II
Max. current load total [A]	4
Operating conditions	
Ambient temperature [°C]	-25...90
Note on ambient temperature	cULus: ...75
Ambient temperature (moving) [°C]	-25...90
Note on ambient temperature (moving)	cULus: ...75
Protection	IP 65; IP 67; IP 68; IP 69K

EVC618



Y connection cable

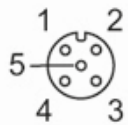
YDOAH040MSS0002H04STGH040MSS

Mechanical data		
Weight [g]	176.2	
Materials	Connecting cable with plug: TPU orange; Connecting cable with socket: TPU orange; Sealing: FKM	
Material nut	brass / brass	
Number of ports splitter box	2	
Drag chain suitability	bending radius for flexible use	min. 10 x cable diameter
	travel speed	max. 3.3 m/s for a horizontal travel length of 5 m and max. acceleration of 5 m/s ²
	bending cycles	> 5 Mio.
	torsional strain	± 180 °/m
Drag chain suitability	yes	

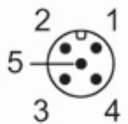
Remarks	
Pack quantity	1 pcs.

Electrical connection	
Cable: 2 m, PUR, Halogen-free, black, Ø 4.9 mm; 4 x 0.34 mm ² (42 x Ø 0.1 mm)	

Electrical connection - socket	
Connector: 2 x M12; Locking: brass, nickel-plated; Contacts: gold-plated; Tightening torque: 0.6...1.5 Nm	



Electrical connection - plug	
Connector: 2 x M12; Locking: brass, nickel-plated; Contacts: gold-plated; Tightening torque: 0.6...1.5 Nm	



EVC618



Y connection cable

YDOAH040MSS0002H04STGH040MSS

Connection

