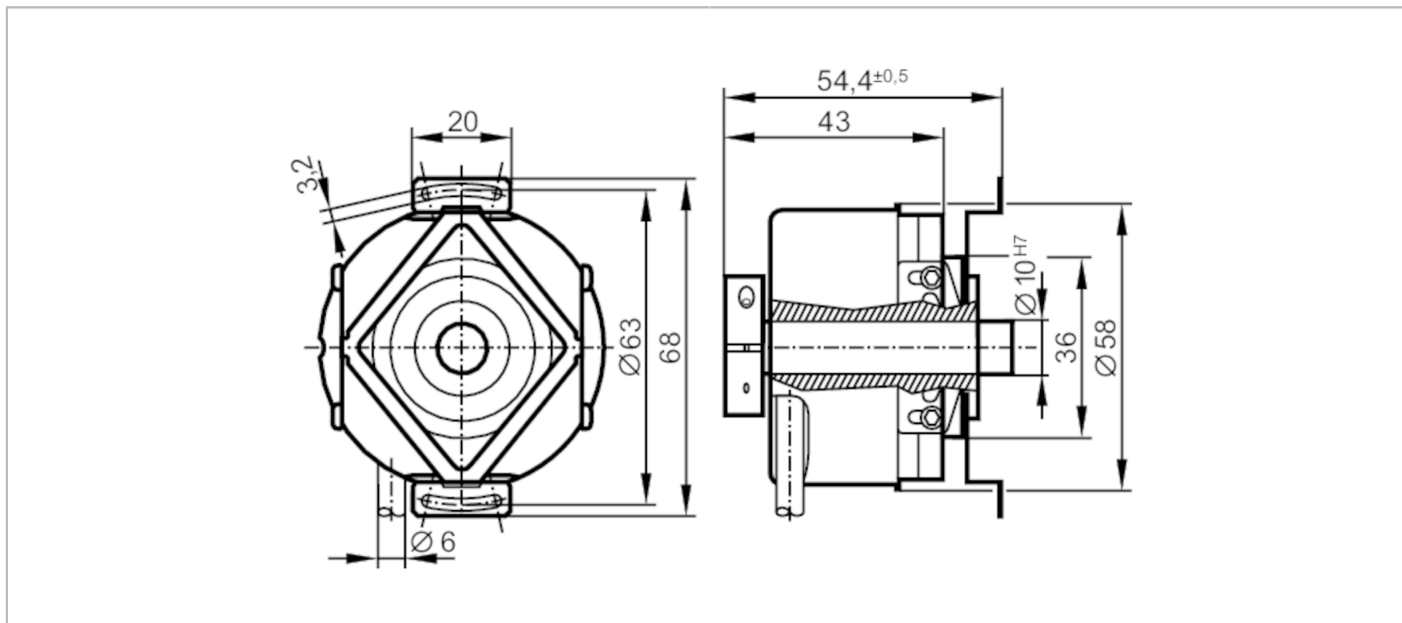


# RO6316



## Incremental encoder with hollow shaft

RO-0360-I24/N11



Application	
Function principle	incremental
Electrical data	
Operating voltage [V]	10...30 DC
Current consumption [mA]	< 150
Outputs	
Electrical design	HTL
Max. current load per output [mA]	50
Switching frequency [kHz]	300
Type of short-circuit protection	< 60 s
Phase difference A und B [°]	90
Measuring/setting range	
Resolution	360 resolution
Operating conditions	
Ambient temperature [°C]	-30...85
Note on ambient temperature	for firmly laid cable: -30 °C
Max. relative air humidity [%]	98
Protection	IP 64; (on the housing: IP 66; on the shaft: IP 64)
Tests / approvals	
Shock resistance	200 g
Vibration resistance	30 g
MTTF [years]	190

# RO6316



## Incremental encoder with hollow shaft

RO-0360-I24/N11

Mechanical data	
Weight [g]	451.6
Dimensions [mm]	Ø 58 / L = 54.4
Materials	aluminium
Max. revolution, mechanical [U/min]	12000; (when using both shaft clamping rings)
Max. starting torque [Nm]	2.5
Reference temperature torque [°C]	20
Shaft design	continuous hollow shaft
Shaft diameter [mm]	10
Shaft fit	H7
Shaft material	stainless steel
Installation depth of shaft [mm]	10
Max. axial shaft misalignment [mm]	1; (max. radial shaft alignment: ± 0,05 mm)

Remarks	
Notes	discontinued article

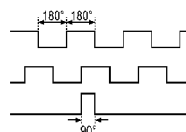
### Electrical connection

Cable: 1 m, PUR; radial, can also be used axially

brown	A
green	A inverted
grey	B
pink	B inverted
red	0 index
black	0 index inverted
blue	L+ sensor
white	0V sensor
brown/green	L+ (Up)
white/green	0V (Un)
screen	housing
lilac	failure inverted

### Diagrams and graphs

Pulse diagram



Output A  
Output B  
0 index