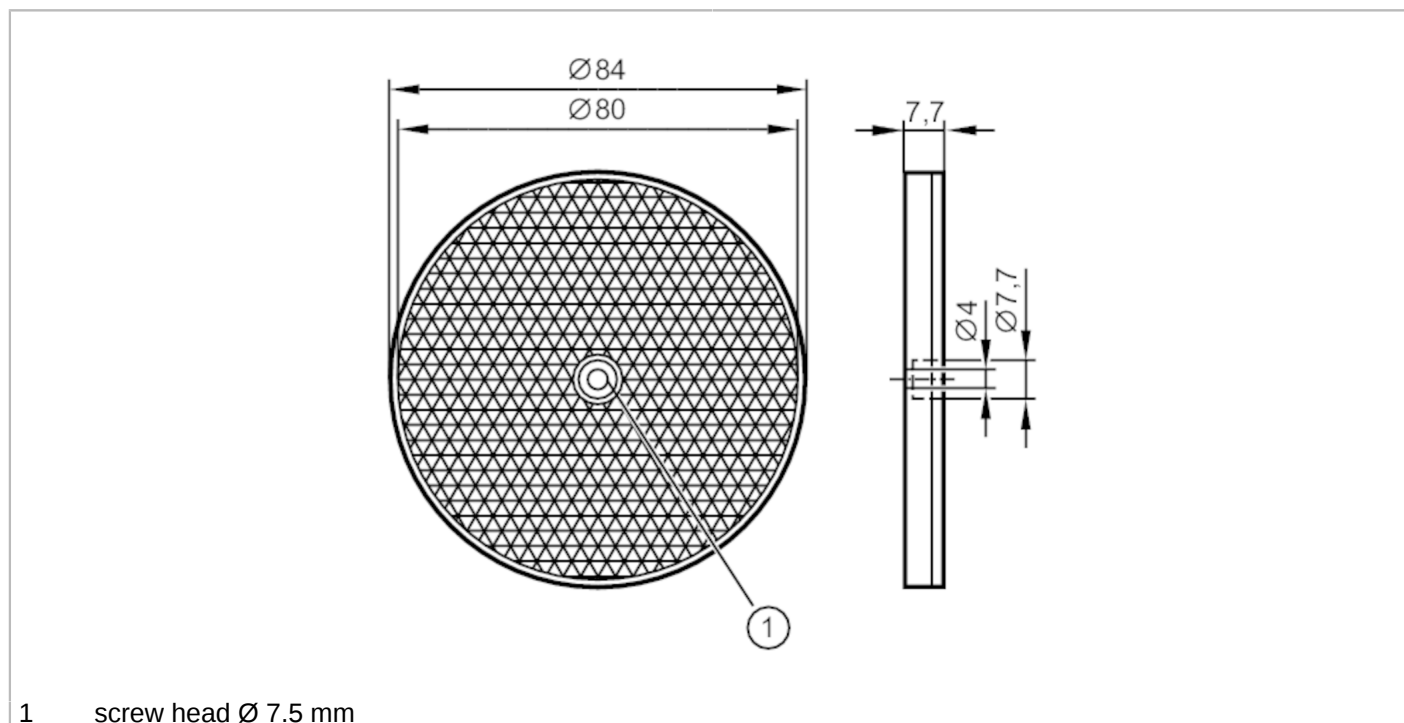


E20005



Reflector for retro-reflective sensors

REFLECTOR TS-80



1 screw head \varnothing 7.5 mm

Application

Design round

Operating conditions

Ambient temperature [°C] -10...60

Mechanical data

Weight [g] 32.2

Dimensions [mm] \varnothing 80

Materials plastics

Remarks

Pack quantity 1 pcs.