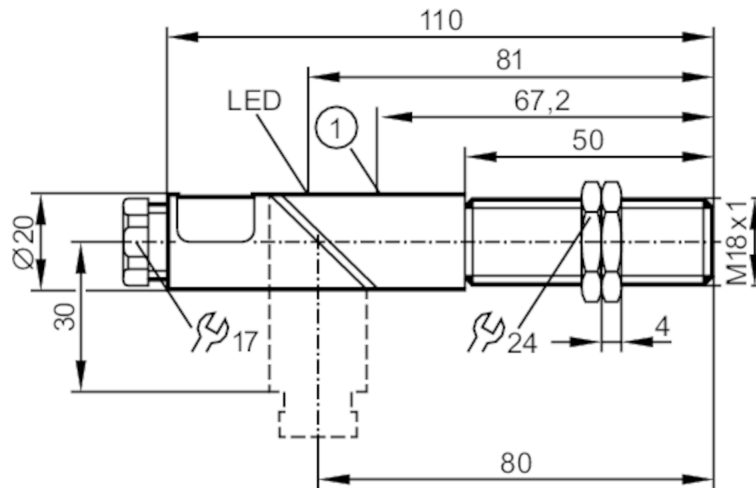


KG0008



Capacitive sensor

KGE2008-FBOA/NI



1 potentiometer



Electrical data

Operating voltage	[V]	20...250 AC/DC
Protection class		II
Reverse polarity protection		no

Outputs

Output function		normally open / normally closed; (selectable)
Max. voltage drop switching output DC	[V]	6
Max. voltage drop switching output AC	[V]	6
Minimum load current	[mA]	4
Max. leakage current	[mA]	2.5 (250 V AC) / 1.7 (110 V AC) / 1.5 (24 V DC)
Permanent current rating of switching output AC	[mA]	150; (350 (...50 °C))
Permanent current rating of switching output DC	[mA]	100
Short-time current rating of switching output	[mA]	2100; (20 ms / 0,5 Hz)
Switching frequency AC	[Hz]	25
Switching frequency DC	[Hz]	50
Short-circuit proof		no
Overload protection		no

Detection zone

Sensing range	[mm]	8
Real sensing range Sr	[mm]	8 ± 10 %
Operating distance	[mm]	0...6.5

KG0008



Capacitive sensor

KGE2008-FBOA/NI

Accuracy / deviations		
Correction factor	glass: 0.4 / water: 1 / ceramics: 0.2 / PVC: 0.2	
Hysteresis [% of Sr]	1...15	
Switch point drift [% of Sr]	-15...15	
Operating conditions		
Ambient temperature [°C]	-25...80	
Protection	IP 65	
Tests / approvals		
EMC	EN 60947-5-2	
MTTF [years]	323	
Mechanical data		
Weight [g]	83.8	
Housing	threaded type	
Mounting	non-flush mountable	
Dimensions [mm]	M18 x 1 / L = 110	
Thread designation	M18 x 1	
Materials	PBT	
Displays / operating elements		
Display	switching status	1 x LED, yellow
Electrical connection		
Required protection	miniature fuse to IEC60127-2 sheet 1; ≤ 2 A; fast acting	
Accessories		
Accessories (supplied)	lock nuts: 2 screwdriver: 1	
Remarks		
Remarks	Recommendation: Check the safe functioning of the unit after a short circuit.	
Pack quantity	1 pcs.	

KG0008



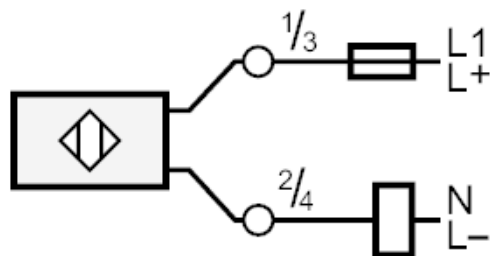
Capacitive sensor

KGE2008-FBOA/NI

Electrical connection

terminals: ...2.5 mm²; Cable sheath: Ø 4.5...10 mm; Cable gland: M16 X 1.5

Connection



Note miniature fuse to IEC60127-2 sheet 1 ≤ 2 A fast acting