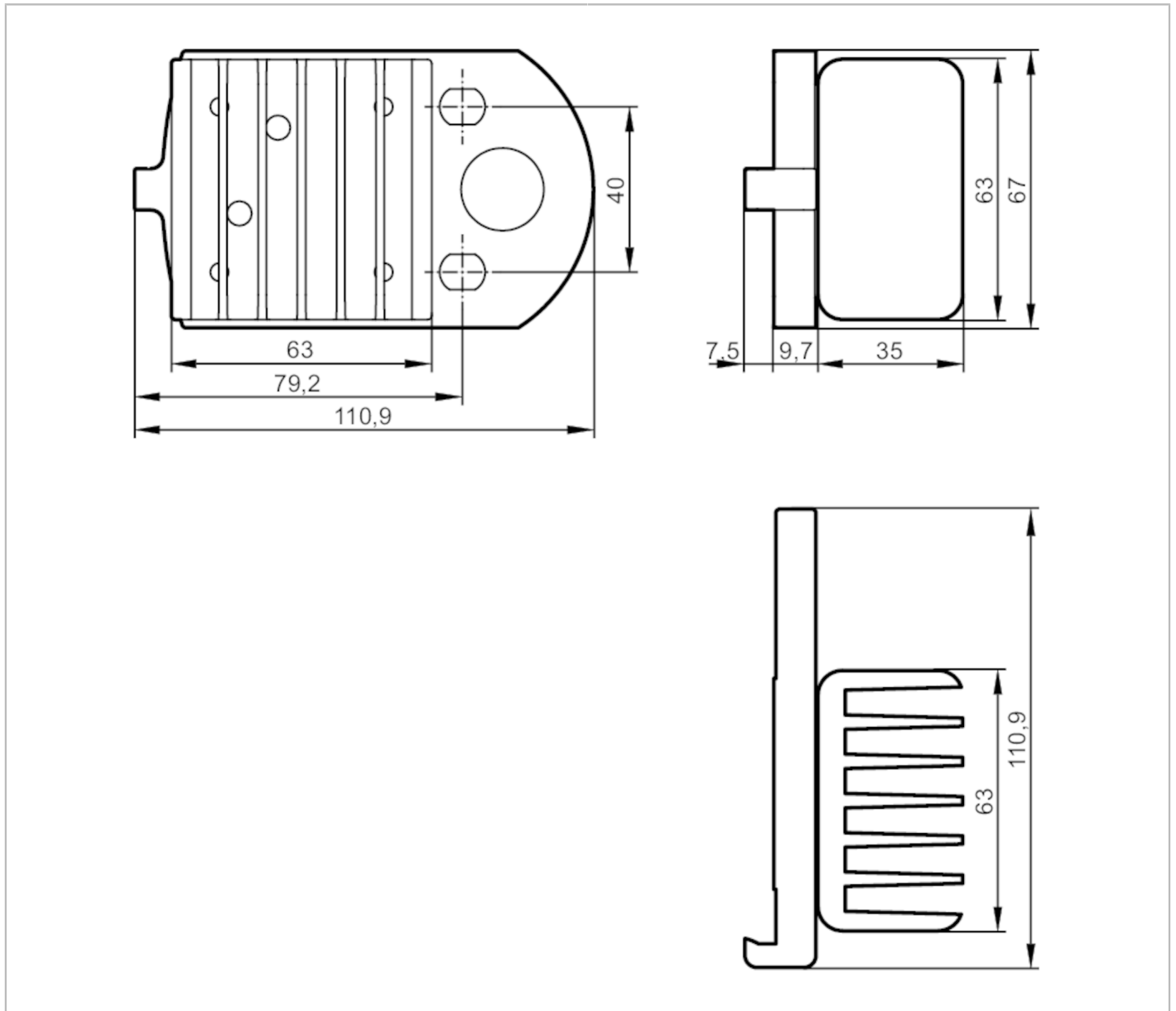


E3D304



Cooling element for 3D cameras

COOLING ELEMENT 2 SMART CAM



Application	
Design	double cooling element
Mechanical data	
Weight [g]	850.4
Type of mounting	panel / surface
Materials	dissipator: AlMgSi1MgMn; Heat conductor: AlMg3
Accessories	
Accessories (supplied)	cylinder screws: 2 x ISO 4762 M5 x 75
	Nuts: 2
	Clamp
	installation instructions

E3D304



Cooling element for 3D cameras

COOLING ELEMENT 2 SMART CAM

Remarks

Pack quantity

1 pcs.